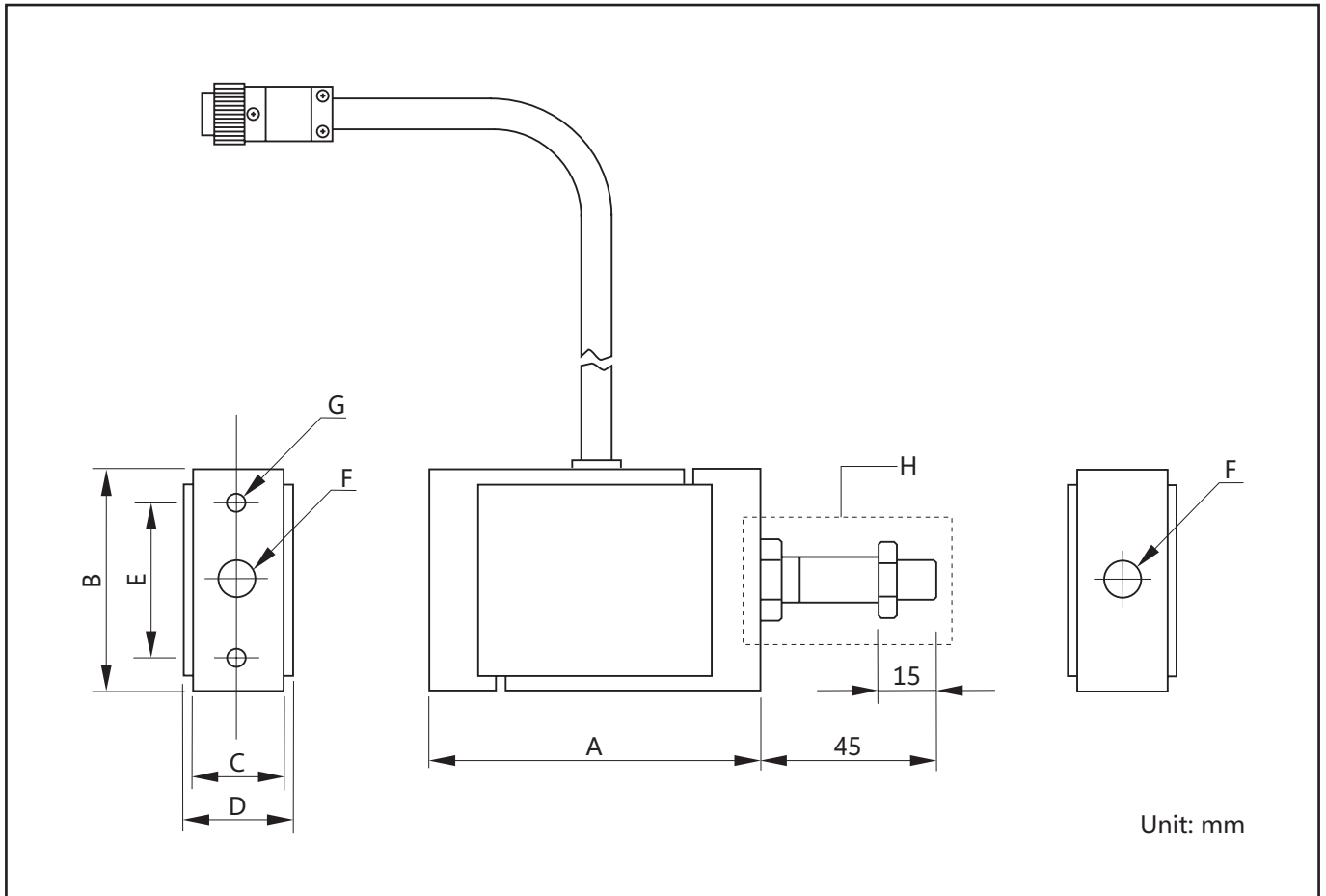


Model	A	B	C	D	E	F	G female screw	H measuring shaft
DPU-2N	71	57	12	26	32	70	M6 P1.0 depth 10 coarse thread	M6 P1.0 length 10 coarse thread
DPU-5N								
DPU-10N								
DPU-20N	73	59	7.5	33	39	84		
DPU-50N								
DPU-100N								
DPU-200N								
DPU-500N								

Specifications subject to change without notice!



Model	A	B	C	D	E	F female screw	G female screw	H measuring shaft
DPUH-1000N	85	58	20	26	40	M12 P1.75 depth 15 coarse thread	M5 0.8 depth 8 coarse thread	M10 P1.5 length 15 coarse thread
DPUH-2000N								
DPUH-5000N								
DPUH-10kN	105	78	32	38	60	M18 P1.5 depth 22 fine pitch thread	M6 P1.0 depth 10 coarse thread	not included
DPUH-20kN	110	88	36	42				