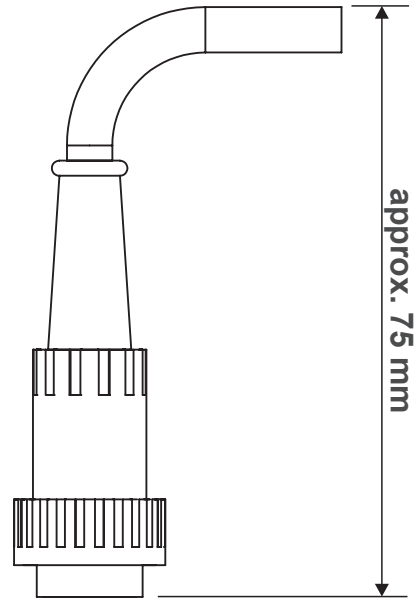
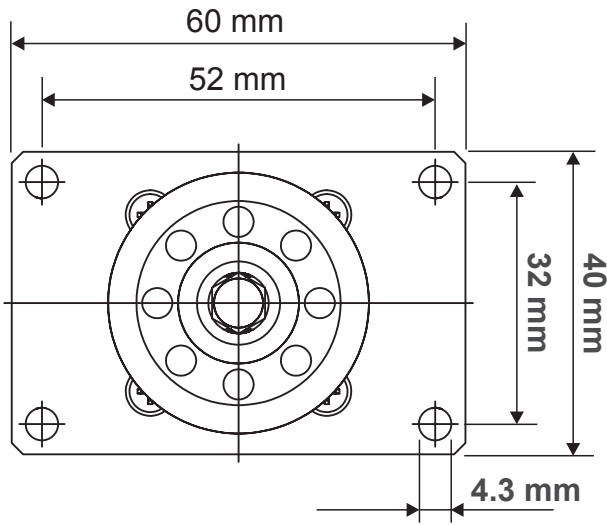


Tension Sensor Model TSR



**Connector: 8 Pin diode connector
with bayonet cap**

