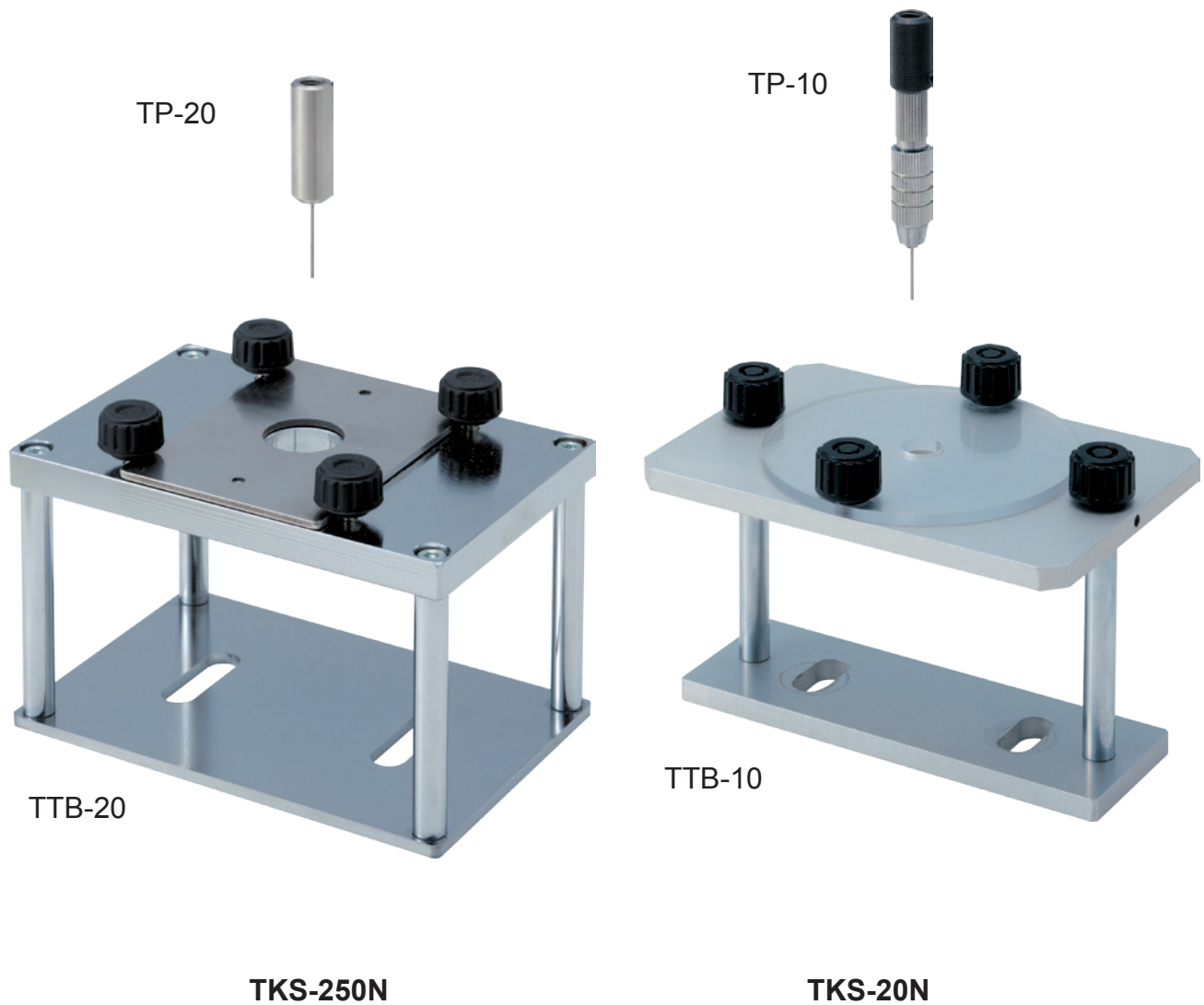
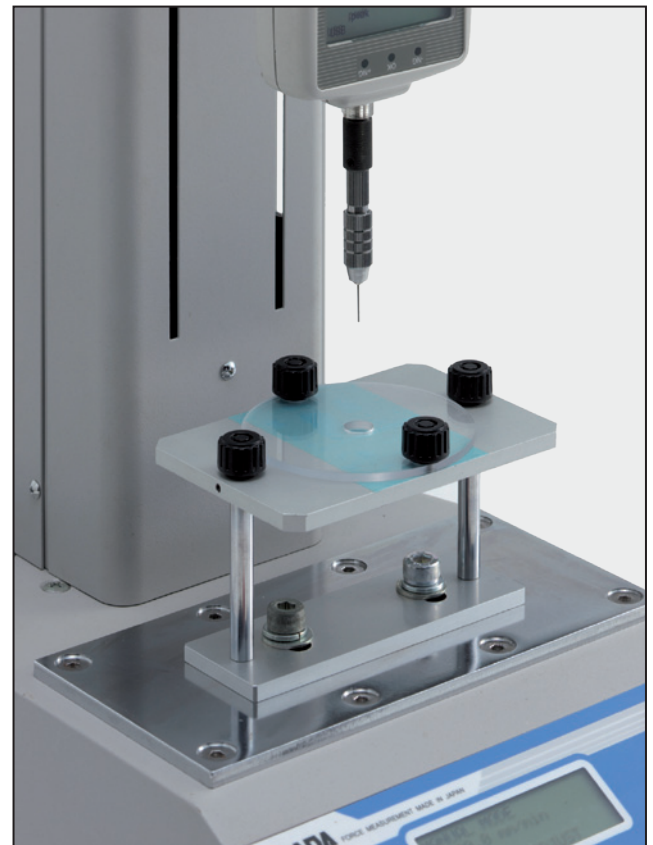


## Fixture for film sticking test TKS (pin & table)



### Applications

- Designed for puncture testing of thin samples including film, PET bottles and aluminium etc.
- In combination with a force gauge ZT series, a test stand MX2 series and cable CB-528 measurements according JIS Z1707:2019 are possible.



### Note

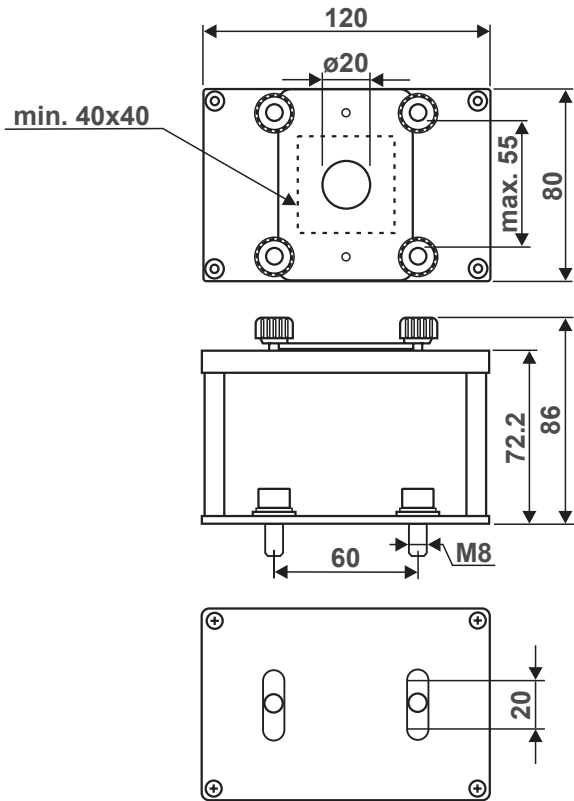
- The contents may be changed without previous notice.
- All products are designed for measurement purpose only.
- Force gauges and test stands are not included but necessary to carry out test.
- Some samples can not be measured depending on their materials or shapes

## Specifications

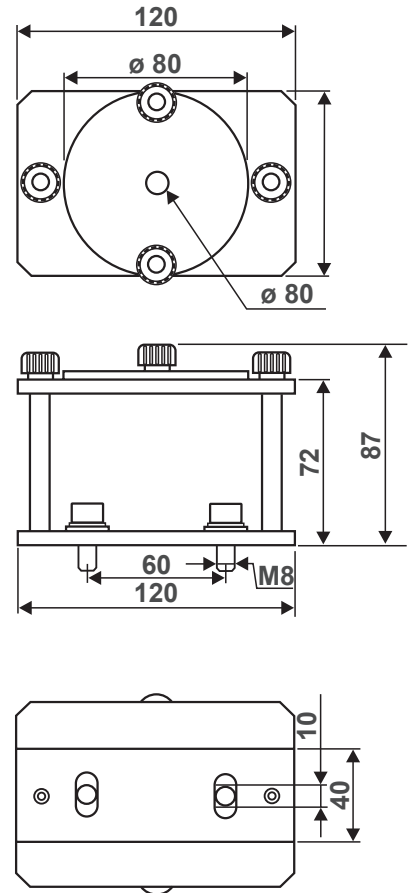
Model	TKS-20N	TKS-250N
Capacity	20 N	250 N
Table	TTB-10	TTB-20
Diameter of the hole*	Ø 10 mm	Ø 20 mm
Weight	Approx. 500 g	Approx. 1050 g
Sample size	20 x 20 up to 60 x 60 mm	40 x 40 up to 55 x 55 mm
Pin	TP-10	TP-20
Diameter	1 mm	
Tip shape	SR 0.5	
Material	Stainless steel	Steel
Weight	Approx. 0.2 g	Approx. 16 g
Including quantity	3 pieces	1 piece
Pin vice	STP-001	-
Diameter	Up to 3.2 mm	-
Weight	Approx. 22 g	-
Mounting screw (pin/pin vice)	M6	

\* The table is available with other diameter of the hole on request

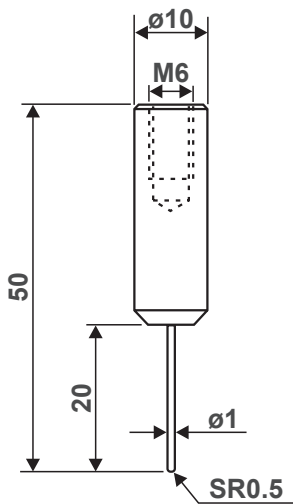
**Dimensional drawing**



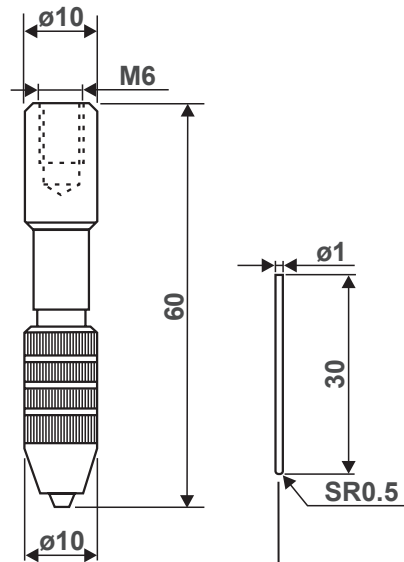
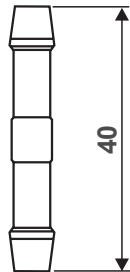
**TTB-20**



**TTB-10**



**TTB-20**



**TTB-10**

Model	Explanation
STP-001	Set with 3 pieces