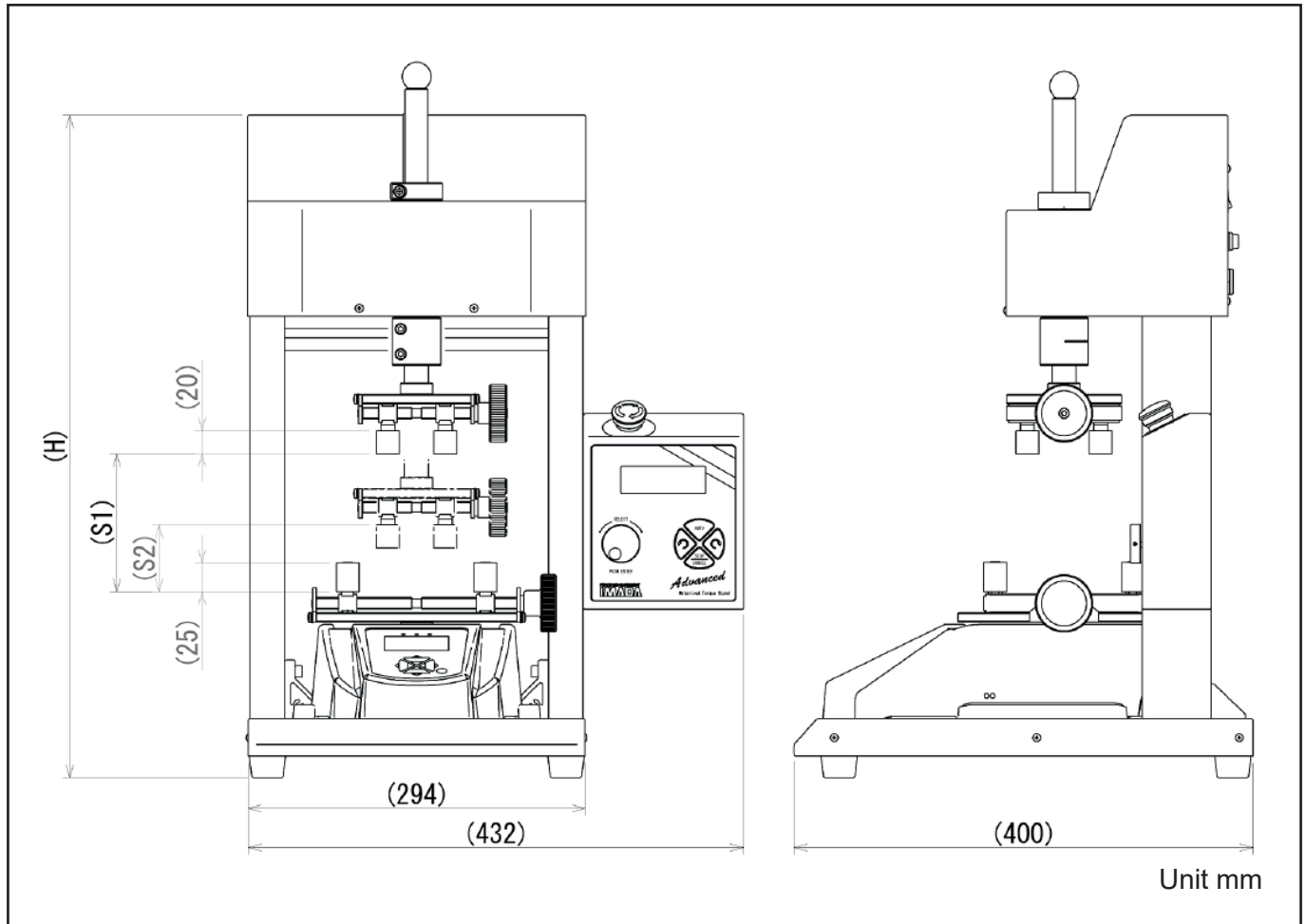


Torque test stand TAA-ACMTS-TB



Model	H	S1	S2
ACMTS-10N	577	120	58
ACMTS-10N-2L	777	320	158

S1 and S2 are the corresponding sample heights (maximum / minimum) with torque meter DTXA, stuffed with standard table DT-TB and standard clamping chuck MT-TB