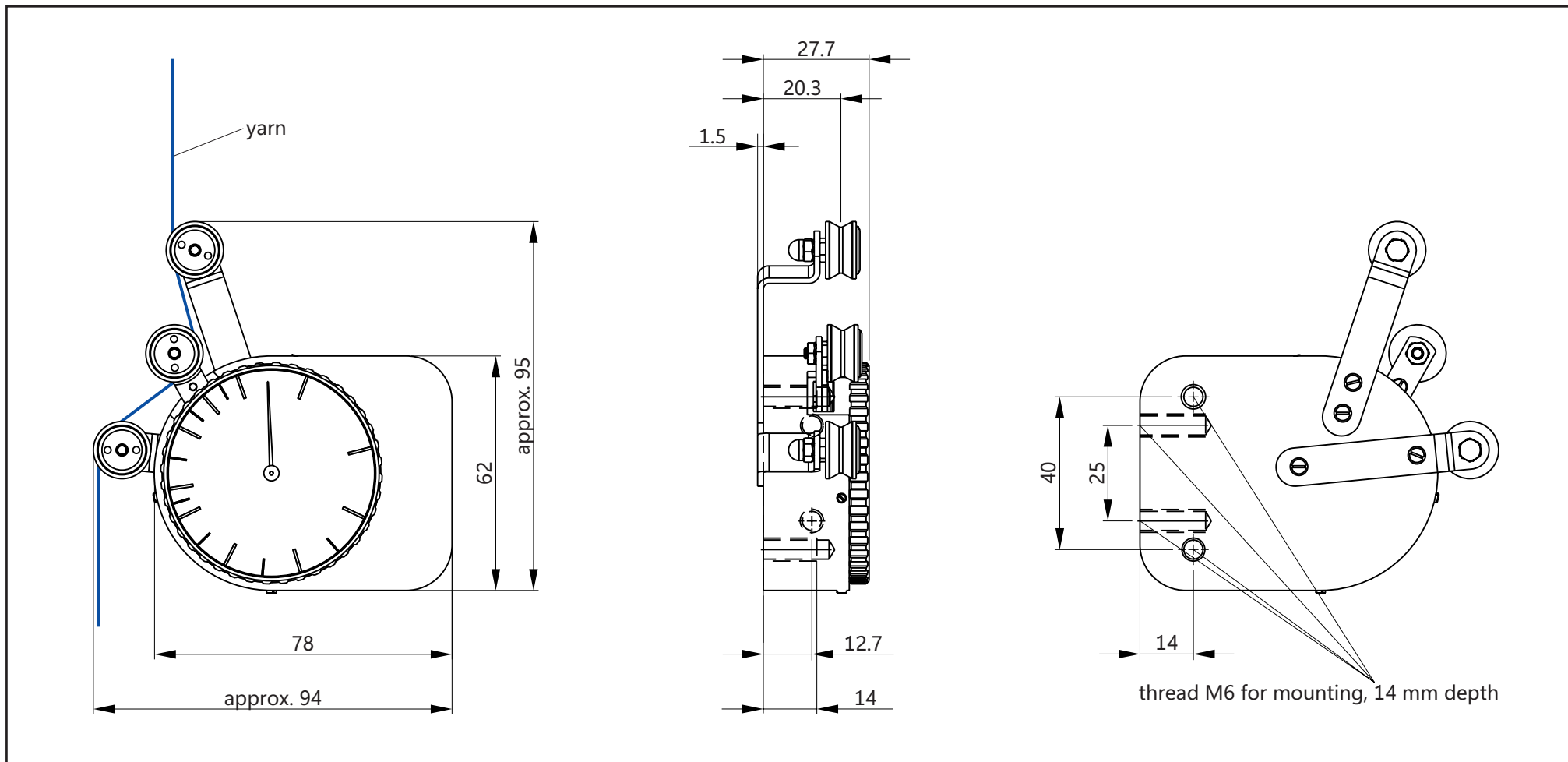


## Tension Meter Q: 2 - 10 cN up to 20 - 300 cN



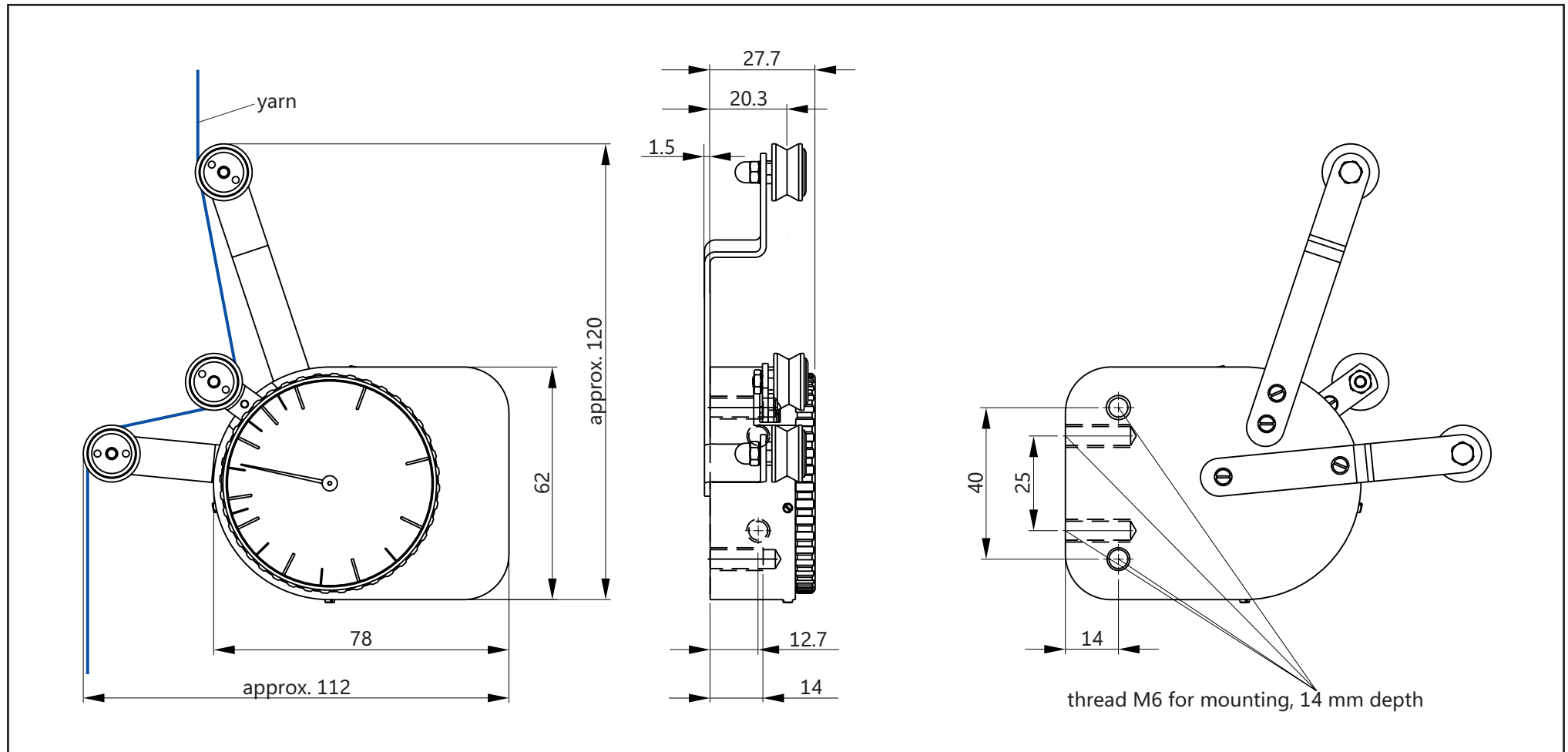
Specifications subject to change without notice!

**Hans Schmidt & Co GmbH**  
Schichtstr. 16  
84464 Waldkraiburg Germany

Phone: int. + 49 / (0)8638 / 9410-0  
Fax: int. + 49 / (0)8638 / 4825

e-mail: [info@hans-schmidt.com](mailto:info@hans-schmidt.com)  
Internet: <http://www.hans-schmidt.com>

## Tension Meter Model Q: 50 - 500 cN and 50 - 1000 cN



Specifications subject to change without notice!

**Hans Schmidt & Co GmbH**  
Schichtstr. 16  
84464 Waldkraiburg Germany

Phone: int. + 49 / (0)8638 / 9410-0  
Fax: int. + 49 / (0)8638 / 4825

e-mail: [info@hans-schmidt.com](mailto:info@hans-schmidt.com)  
Internet: <http://www.hans-schmidt.com>