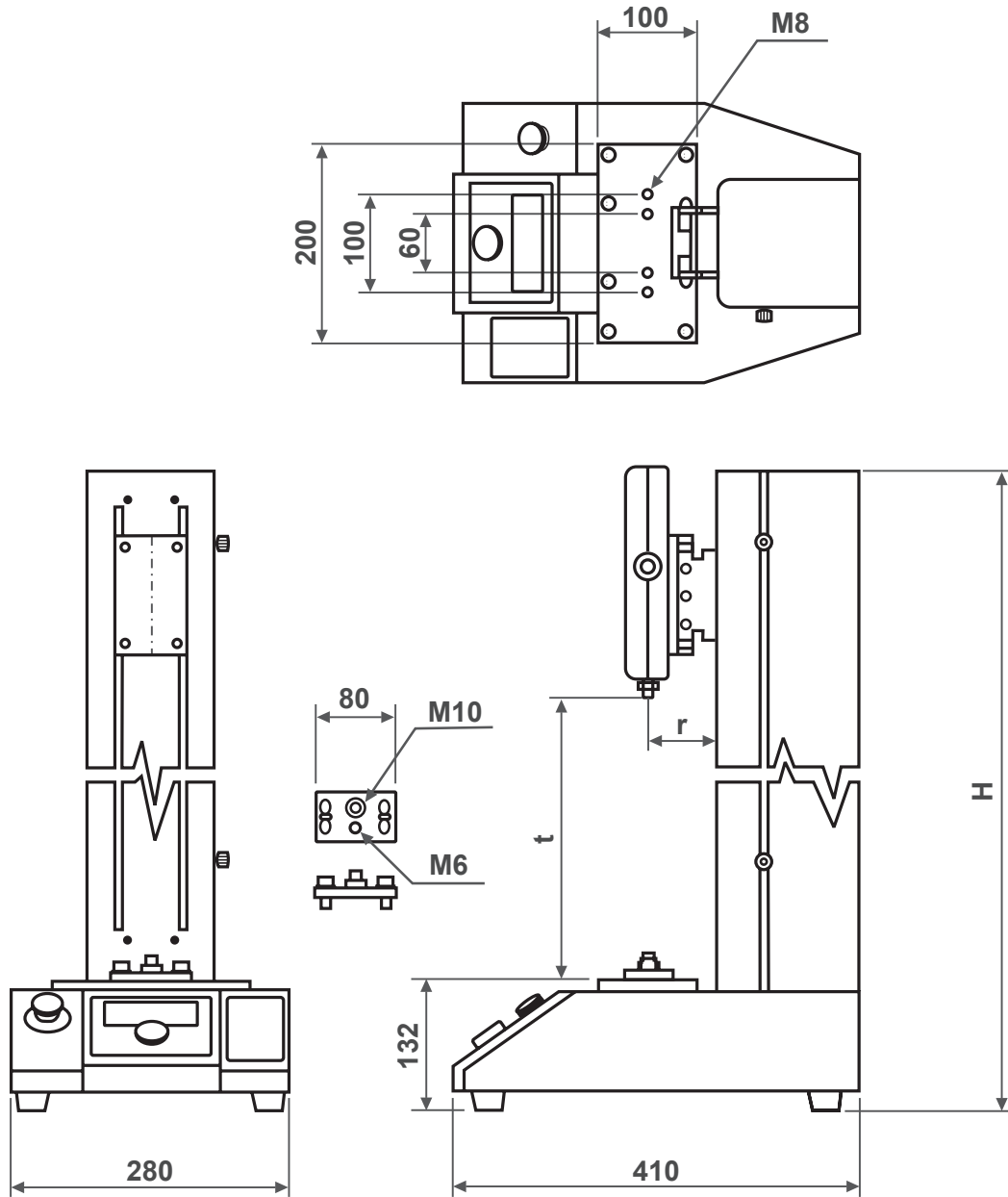


Test Stand Model MX2-2500N



		MX2-2500N	MX2-2500N-L
H		644	944
r	DST/DSV/ZTS/ZTA (2 N up to 1000 N)	72	
	ZTS/ZTA (2500 N up to 5000 N)	71	
	DPU (up to 500 N)	70	
	DPU (1000 N and more)	74	
t	DST/DSV	320	620
	ZTS/ZTA (2 N up to 1000 N)	315	615
	ZTS/ZTA (2500 N up to 5000 N)	320	620
	DPU (2 N up to 10 N)	290	590
	DPU (20 N up to 500 N)	285	585
	DPU (1000 N up to 5000 N)	210	510