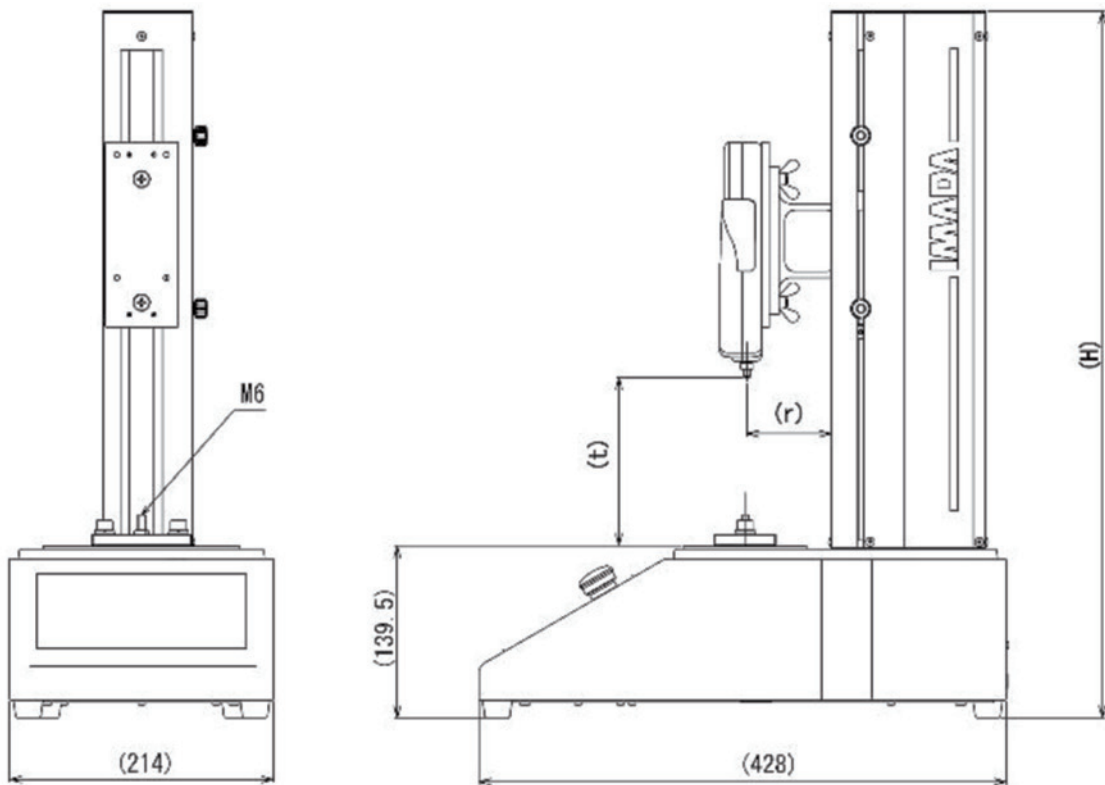
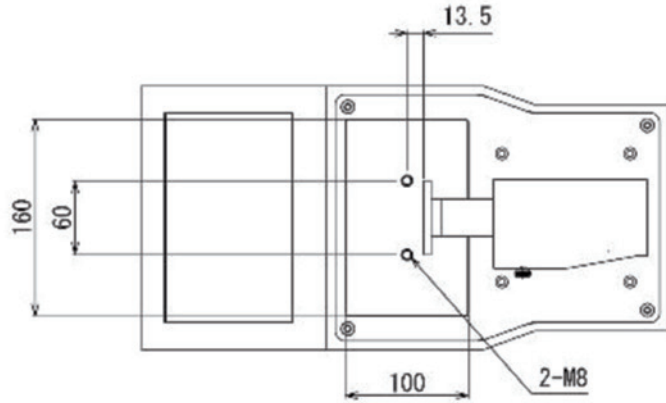
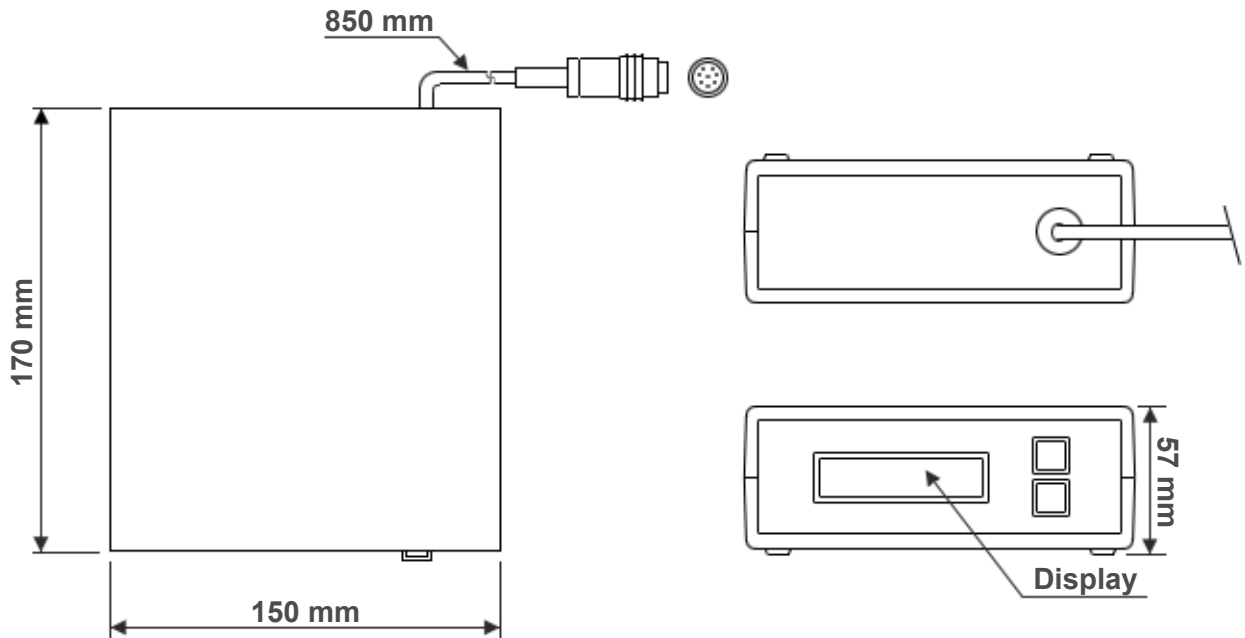


Test Stand Model MX-500N



		MX-500N	MX-500N-L
H		573	773
r	with DST/DSV/ZTS/ZTA (2 N to 500 N)	68	
t	with DST/DSV (2 N to 500 N)	260	460
	with ZTS/ZTA (2 N to 500 N)	250	450

Distance and Speed Measuring System Code E



Timer and Counter Unit Code TM

