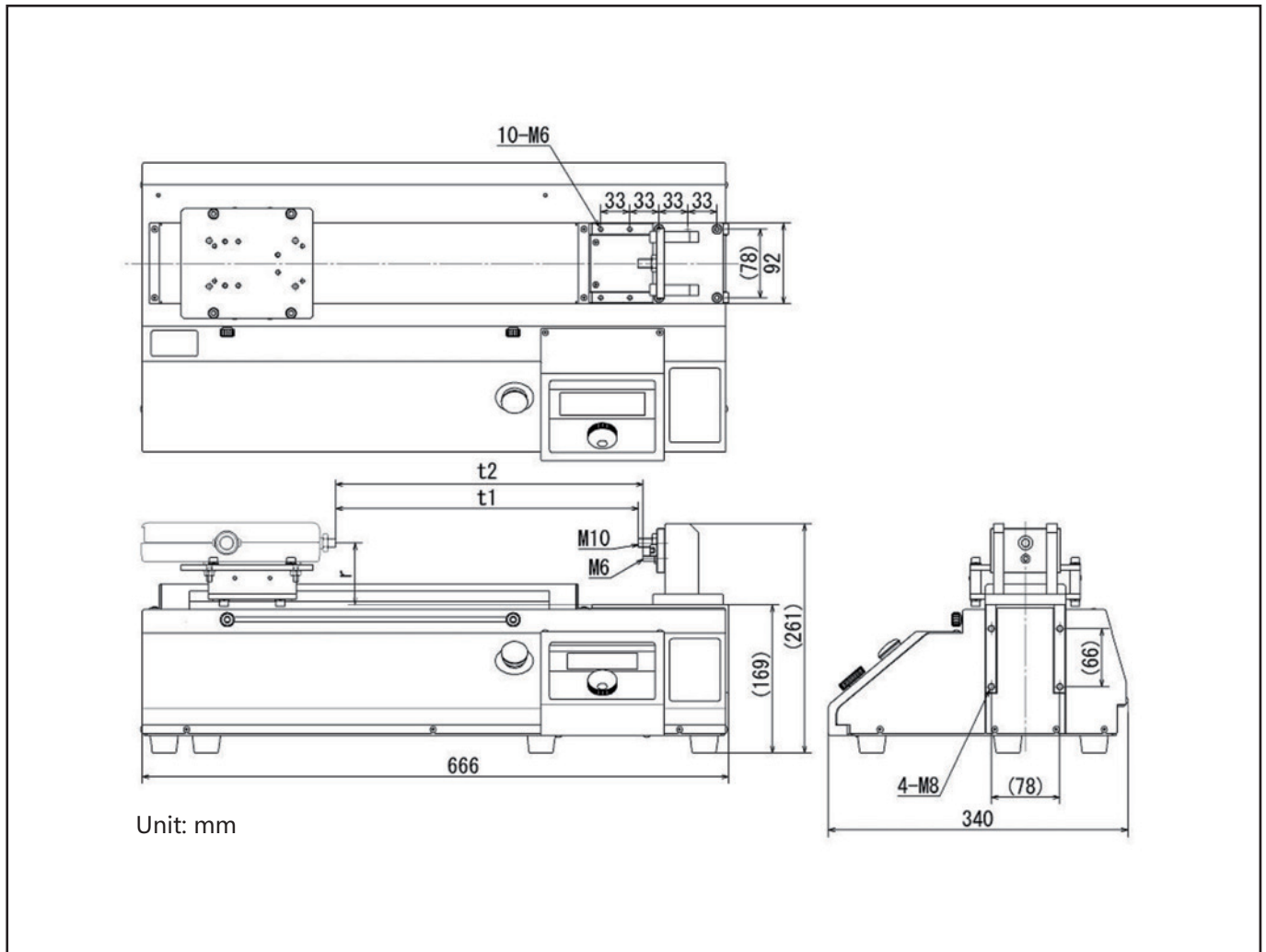


Test Stand MH2-2500N



	Model	MH2-500N
r	ZTS/ZTA (2500 N or higher)	70.5
	ZTS/ZTA (up to 1000 N)	57.5
	DPU	55.5
	DPUH (1000 N to 5000 N); mounting block is sold seperately	70.5
t1	ZTS/ZTA (2500 N or higher)	0 - 340
	DPUH (1000 N to 5000 N); mounting block is sold seperately	0 - 310
t2	ZTS/ZTA (up to 1000 N)	0 - 300
	DPU (up to 500 N)	70 - 350

Specifications subject to change without notice!