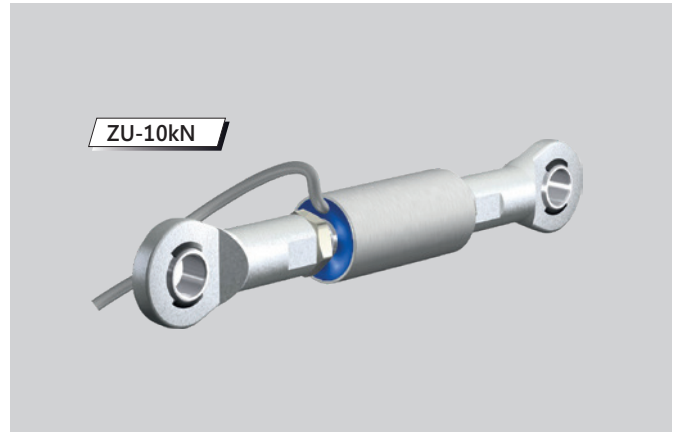


Load Cell ZU/eZU

2 Measuring ranges with 10 kN and 20 kN

Special Features

- Load Cell for tension forces
- Ideal load cell for high capacity measurements
- Easy to attach the sample at one end and pull the other end
- The long cable of the load cell makes it possible to read the measurement result from a greater distance.
- IP 67 protected



Load Cell for Indicator ZTS/ZTA

Model	Capacity	Resolution	Accuracy*
ZU-10 kN	10 kN	0.01 kN	± 1.0 % full scale
ZU-20 kN	20 kN	0.01 kN	± 1.0 % full scale

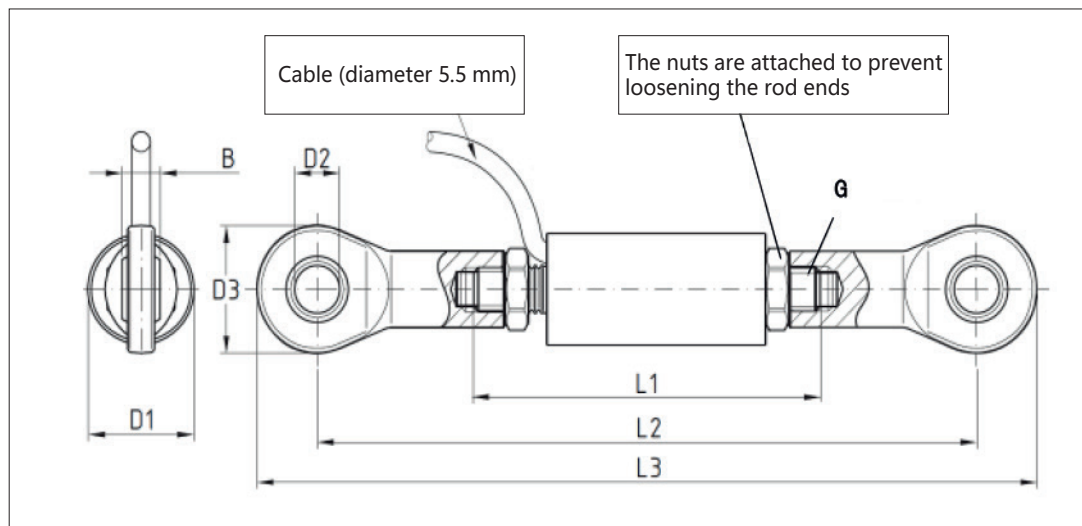
*It is the accuracy of the load cell and indicator combined.

Load Cell for Indicator eZT

Model	Capacity	Resolution	Accuracy*
eZU-10 kN	10 kN	0.01 kN	± 1.2 % full scale
eZU-20 kN	20 kN	0.01 kN	± 1.2 % full scale

*It is the accuracy of the load cell and indicator combined.

Dimensional Drawing



Model	D1	L1	G	L2	L3	D2	D3	B
ZU-10kN	28	105	M12	168 - 178	200 - 210	Ø 12H7	Ø 30	16
ZU-20kN	50	105	M14	185 - 195	224 - 234	Ø 15H7	Ø 39	12

Unit: mm

ZU-E - Subject to change without notice.

Hans Schmidt & Co GmbH
Schichtstr. 16
84464 Waldkraiburg Germany

Phone: int. + 49 / (0)8638 / 9410-0
Fax: int. + 49 / (0)8638 / 4825

e-mail: info@hans-schmidt.com
Internet: <http://www.hans-schmidt.com>

Specifications	ZU	eZU
Accuracy:*	± 1.0 % full scale or less	± 1.2 % full scale or less
Rated output:	1.5 mV/V	1.5 mV/V
Nonlinearity:	0.5 % R. O.	0.5 % R. O.
Recommended Voltage:	10 V DC	10 V DC
Overload capacity:	120 %	120 %
Recommended temperature:	-10 - 50 °C	-10 - 50 °C
(Allowable temperature)	-30 - 50 °C	-30 - 50 °C
Temperature influence for 0 degree	0.005 %/°C	0.005 %/°C
Temperature influence for output	0.005 %/°C	0.005 %/°C
Cable:	Approx. 5 m	Approx. 5 m
Protection rating:**	IP67	IP67
Weight:	Approx. 540 g	Approx. 540 g

* It is the accuracy of the load cell and indicator combined.

** Protection rating is only approved for the sensor. The indicator, the connector parts and cable are not secured.