



# Load Cell PN-50N / ePN-50N

Measuring range 50 N

## Special Features

- Pen shaped load cell for compression and tension testing
- Designed for compression testing of small samples directly by hand
- Suitable for measuring switches and other small parts



## Load Cell for Indicator ZTS/ZTA

Model	Capacity	Resolution	Accuracy*
<b>PN-50N</b>	50 N	0.01 N	± 2.0 % full scale

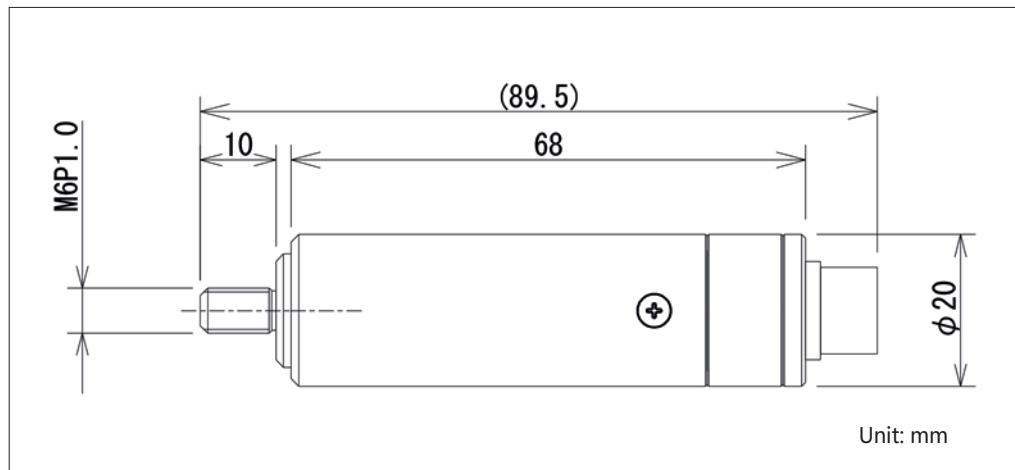
\*It is the accuracy of the load cell and indicator combined.

## Load Cell for Indicator eZT

Model	Capacity	Resolution	Accuracy*
<b>ePN-50N</b>	50 N	0.01 N	± 2.2 % full scale

\*It is the accuracy of the load cell and indicator combined.

## Dimensional Drawing



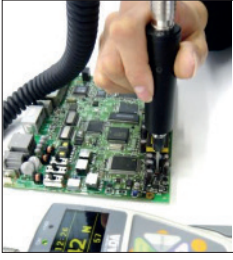
PN-50N-E - Subject to change without notice.

**Hans Schmidt & Co GmbH**  
Schichtstr. 16  
84464 Waldkraiburg Germany

Phone: int. + 49 / (0)8638 / 9410-0  
Fax: int. + 49 / (0)8638 / 4825

e-mail: info@hans-schmidt.com  
Internet: http://www.hans-schmidt.com

## Operation



The load cell can be held like a pen, therefore it is ideal for measurements of small samples in narrow space

## Specifications

	<b>PN-50N</b>	<b>ePN-50N</b>
Accuracy:*	± 2.0 % full scale or less	± 2.2 % full scale or less
Rated output:	1.0 mV/V ±10 %	—
Nonlinearity:	0.3 % R.O.	—
Hysteresis:	0.3 % R.O.	—
Recommended Voltage: (Allowable Voltage)	5 V DC or AC (8 V DC or AC)	—
Overload capacity:	150 %	150 %
Recommended temperature: (Allowable temperature)	0 - 50 °C -10 - 60 °C	0 - 50 °C -10 - 60 °C
Temperature influence for 0 degree:	0.05 % / °C	—
Temperature influence for output:	0.05 % / °C	—
Cable:	Approx. 2 m	Approx. 2 m
Weight:	Approx. 50 g	Approx. 50 g

\*It is the accuracy of the load cell and indicator combined.