

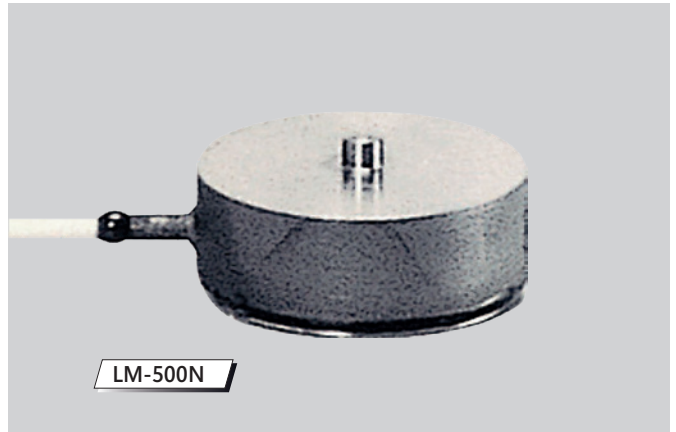


Load Cell LM/eLM

9 measuring ranges from 10 N up to 20 kN

Special Features

- Load cell for compression forces
- Ideal for a narrow space due to their slim shape
- Developed for mounting or bonding on presses and similar devices



Load Cell for Indicator ZTS/ZTA

Model	Capacity	Resolution	Accuracy*
LM-10N	10 N	0.01	± 2.0 % full scale
LM-50N	50 N	0.01	
LM-200N	200 N	0.1 N	
LM-500N	500 N	0.1 N	
LM-1000N	1000 N	1 N	
LM-2000N	2000 N	1 N	
LM-5000N	5000 N	1 N	
LM-10kN	10 kN	0.01 kN	
LM-20kN	20 kN	0.01 kN	± 3.5 % full scale

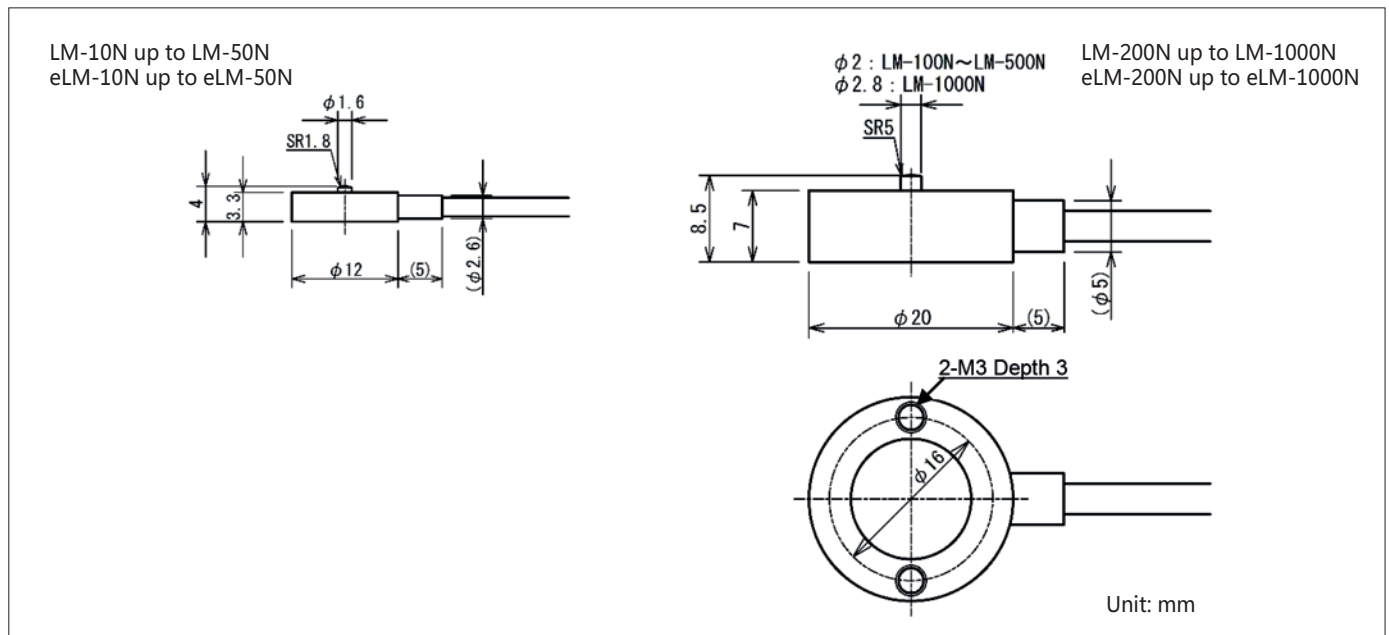
*It is the accuracy of the load cell and indicator combined.

Load Cell for Indicator eZT

Model	Capacity	Resolution	Accuracy*
eLM-10N	10 N	0.01	± 2.2 % full scale
eLM-50N	50 N	0.01	
eLM-200N	200 N	0.1 N	
eLM-500N	500 N	0.1 N	
eLM-1000N	1000 N	1 N	
eLM-2000N	2000 N	1 N	
eLM-5000N	5000 N	1 N	
eLM-10kN	10 kN	0.01 kN	
eLM-20kN	20 kN	0.01 kN	± 3.7 % full scale

*It is the accuracy of the load cell and indicator combined.

Dimensional Drawing

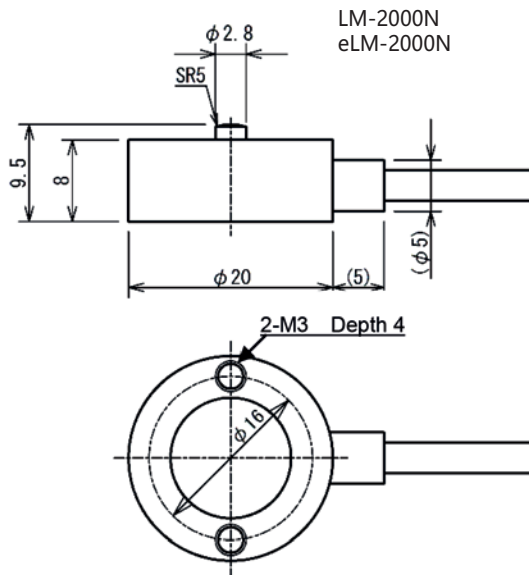


LM-E - Subject to change without notice.

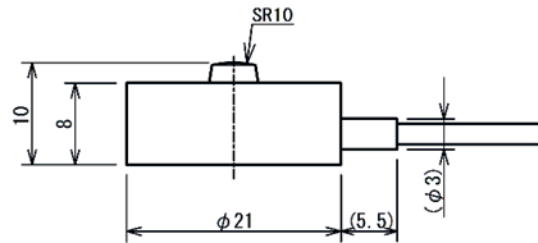
Hans Schmidt & Co GmbH
Schichtstr. 16
84464 Waldkraiburg Germany

Phone: int. + 49 / (0)8638 / 9410-0
Fax: int. + 49 / (0)8638 / 4825

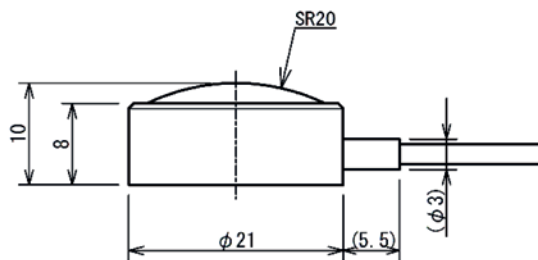
e-mail: info@hans-schmidt.com
Internet: http://www.hans-schmidt.com



LM-5000N
eLM-5000N



LM-10kN up to LM-20kN
eLM-10kN up to eLM-20kN



Unit: mm

Specifications

	LM	eLM
Accuracy:*	10N - 10kN: ± 2.0 % full scale or less 20kN: ± 3.5 % full scale or less	10N - 10kN: ± 2.2 % full scale or less 20kN: ± 3.7 % full scale or less
Rated output:	10N: 0.7 mV/V oder mehr 50N - 2000N: 1.0 mV/V ± 20 % 5000N, 10kN: 1.0 mV/V ± 30 % 20kN: 1.5 mV/V ± 20 %	—
Nonlinearity	10N - 2000N: 0.5 % R. O. 5000N, 10kN: 1.0 % R. O 20kN: 2.0 % R. O	—
Hysteresis:	10N - 2000N: 0.5 % R. O. 5000N, 10kN: 1.0 % R. O 20kN: 2.0 % R. O	—
Recommended voltage: (Allowed voltage)	10N - 2000N: 1 - 3 V AC or DC (5 V AC or DC) 5000N - 20kN: 5 V AC or DC or lower (7 V AC or DC)	— —
Overload capacity:	10N: 200 % 50N - 2000N: 200 % 5000N - 20kN: 120 %	10N: 200 % 50N - 2000N: 200 % 5000N - 20kN: 120 %
Recommended temperature: (Allowable temperature)	10N: -10 - 50 °C (-20 - 60 °C) 50N - 2000N: 0 - 50 °C (-10 - 60 °C) 5000N - 20kN: -5 - 50 °C (-10 - 60 °C)	10N: -10 - 50 °C (-20 - 60 °C) 5N - 2000N: 0 - 50 °C (-10 - 60 °C) 5000N - 20kN: -5 - 50 °C (-10 - 60 °C)
Temperature influence for 0 degree:	0.05 %/°C	—
Temperature influence for output:	0.05 %/°C	—
Cable:	10N - 2000N: approx. 2 m 5000N - 20kN: approx. 3 m	10N - 2000N: approx. 2 m 5000N - 20kN: approx. 3 m
Weight:	10N - 50 N: approx. 40 g 200N - 2000N: approx. 60 g 5000N - 20kN: approx. 70 g	10N - 50 N: approx. 40 g 200N - 2000N: approx. 60 g 5000N - 20kN: approx. 70 g

*It is the accuracy of the load cell and indicator combined.