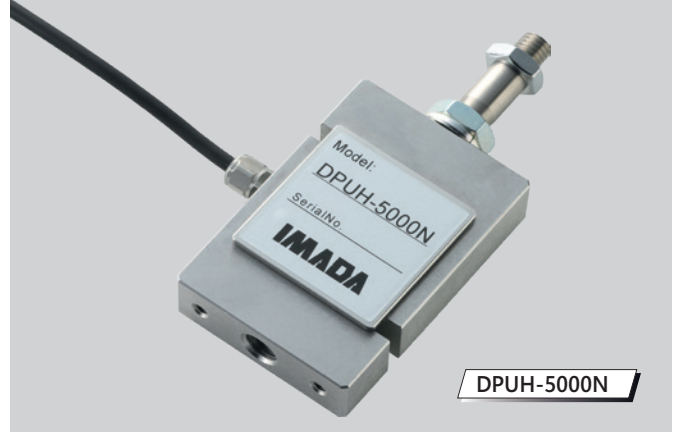


Load Cell DPUH/eDPUH

5 measuring ranges from 1000 N up to 20 kN

Special Features

- Load Cell for tension and compression forces
- DPUH series can be built in manufacturing line and equipment with ease



DPUH-5000N

Load Cell for Indicator ZTS/ZTA

Model	Capacity	Resolution	Accuracy*
DPUH-1000N	1000 N	1 N	± 0.25 % full scale
DPUH-2000N	2000 N	1 N	
DPUH-5000N	5000 N	1 N	
DPUH-10kN	10 kN	0.01 kN	
DPUH-20kN	20 kN	0.01 kN	

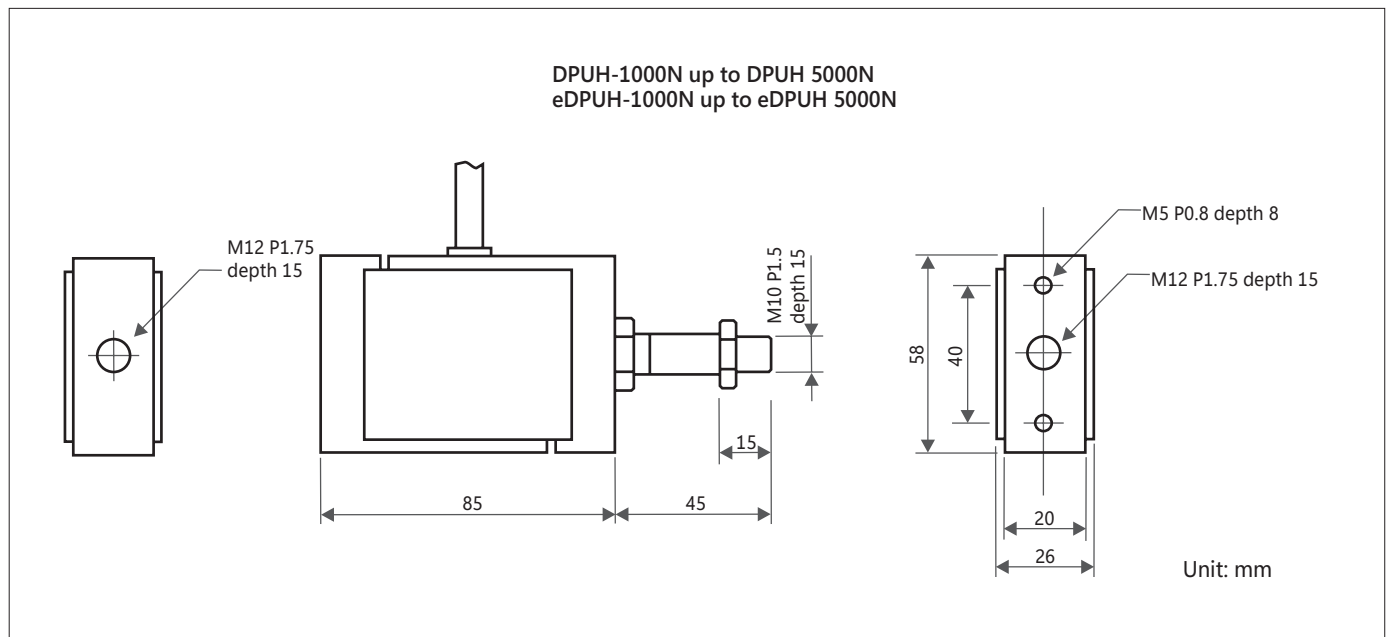
*It is the accuracy of the load cell and indicator combined.

Load Cell for Indicator eZT

Model	Capacity	Resolution	Accuracy*
eDPUH-1000N	1000 N	1 N	± 0.45 % full scale
eDPUH-2000N	2000 N	1 N	
eDPUH-5000N	5000 N	1 N	
eDPUH-10kN	10 kN	0.01 kN	
eDPUH-20kN	20 kN	0.01 kN	

*It is the accuracy of the load cell and indicator combined.

Dimensional Drawing



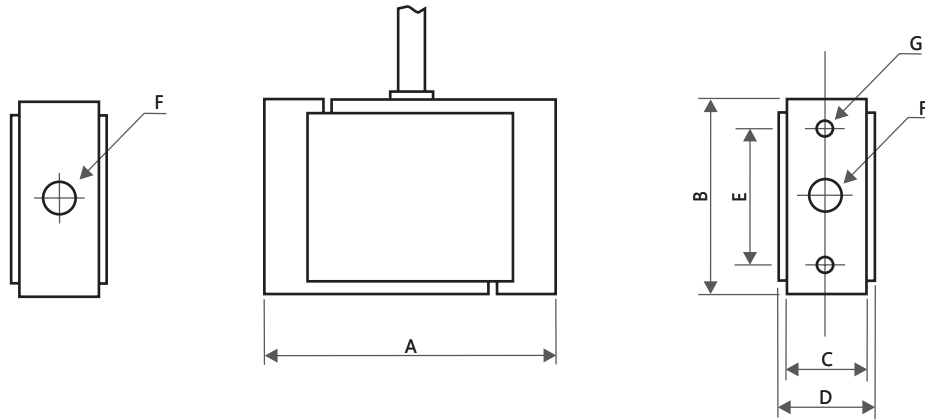
DPUH-E - Subject to change without notice.

Hans Schmidt & Co GmbH
Schichtstr. 16
84464 Waldkraiburg Germany

Phone: int. + 49 / (0)8638 / 9410-0
Fax: int. + 49 / (0)8638 / 4825

e-mail: info@hans-schmidt.com
Internet: <http://www.hans-schmidt.com>

DPUH-10kN up to DPUH-20kN
eDPUH-10kN up to eDPUH20kN



Model	Model	A	B	C	D	E	F	G
DPUH-10kN	eDPUH-10kN	105	78	32	38	60	M18 P1.5 depth 22	M6 P1.0 depth 10
DPUH-20kN	eDPUH-20kN	110	88	36	42	60		

Unit: mm

Specifications

	DPUH	eDPUH
Accuracy:*	± 0.25 % full scale or less	± 0.45 % full scale or less
Rated output:	1.5 mV/V ± 10 %	—
Nonlinearity:	0.1 % R. O.	—
Hysteresis:	0.1 % R. O.	—
Recommended Voltage: (Allowable Voltage)	5 V DC (10 V DC)	—
Overload capacity:	150 %	150 %
Recommended temperature: (Allowable temperature)	-10 - 40 °C -20 - 80 °C	-10 - 40 °C -20 - 80 °C
Temperature influence for 0 degree	0.01 %/°C	—
Temperature influence for output	0.01 %/°C	—
Cable:	Approx. 2 m	Approx. 2 m
Weight:	approx. 0.9 kg (1000 - 5000 N)	approx. 0.9 kg (1000 - 5000 N)
	approx 2.0 kg (10 kN)	approx 2.0 kg (10 kN)
	approx 2.6 kg (20 kN)	approx 2.6 kg (20 kN)

* It is the accuracy of the load cell and indicator combined.