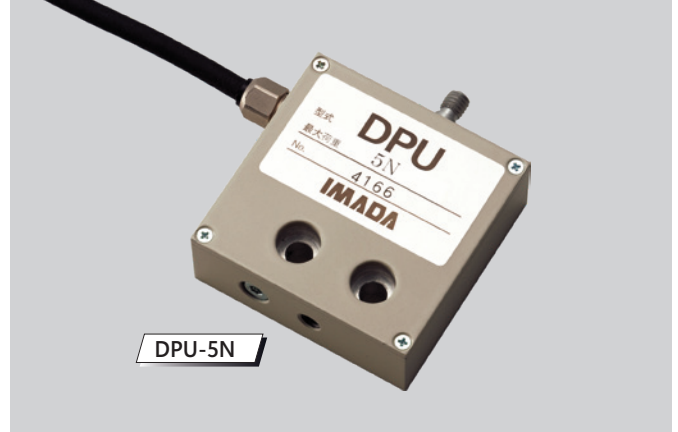


Load Cell DPU/eDPU

8 measuring ranges from 2 N up to 500 N

Special Features

- Load Cell for tension and compression forces
- DPU series can be built in manufacturing line and equipment with ease
- With an adapter of [CA series](#) clamps with M10 mounting screw can be fixed at the load cell.



Load Cell for Indicator ZTS/ZTA

Model	Capacity	Resolution	Accuracy*
DPU-2N	2 N	0.001 N	± 0.2 % full scale
DPU-5N	5 N	0.001 N	
DPU-10N	10 N	0.01 N	
DPU-20N	10 N	0.01 N	
DPU-50N	50 N	0.01 N	
DPU-100N	100 N	0.1 N	
DPU-200N	200 N	0.1 N	
DPU-500N	500 N	0.1 N	

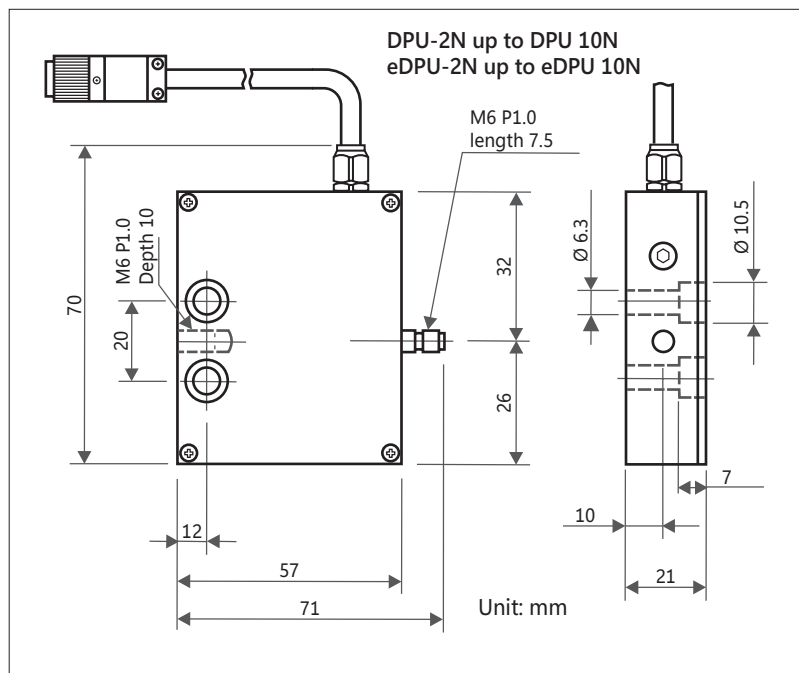
*It is the accuracy of the load cell and indicator combined.

Load Cell for Indicator eZT

Model	Capacity	Resolution	Accuracy*
eDPU-2N	2 N	0.001 N	± 0.4 % full scale
eDPU-5N	5 N	0.001 N	
eDPU-10N	10 N	0.01 N	
eDPU-20N	10 N	0.01 N	
eDPU-50N	50 N	0.01 N	
eDPU-100N	100 N	0.1 N	
eDPU-200N	200 N	0.1 N	
eDPU-500N	500 N	0.1 N	

*It is the accuracy of the load cell and indicator combined.

Dimensional Drawing

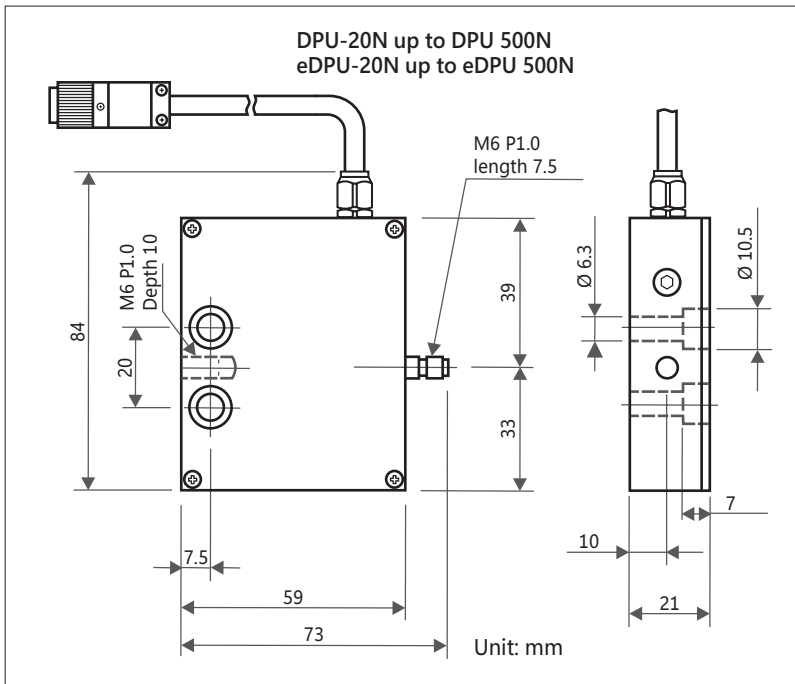


DPU-2N-500N-E - Subject to change without notice.

Hans Schmidt & Co GmbH
Schichtstr. 16
84464 Waldkraiburg Germany

Phone: int. + 49 / (0)8638 / 9410-0
Fax: int. + 49 / (0)8638 / 4825

e-mail: info@hans-schmidt.com
Internet: <http://www.hans-schmidt.com>



Specifications	DPU	eDPU
Accuracy:*	± 0.2 % full scale or less	± 0.4 % full scale or less
Rated output:	0.9 - 1.25 mV/V ±10 % (2 N/5 N) 1.0 mV/V ±10 % (10 N - 500 N)	—
Nonlinearity:	0.12 % R.O.	—
Hysteresis:	0.12 % R.O.	—
Recommended Voltage: (Allowable Voltage)	5 V DC (12 V DC)	—
Overload capacity:	150 % (2N/5 N) 200 % (10 N - 500 N)	150 % (2N/5 N) 200 % (10 N - 500 N)
Recommended temperature: (Allowable temperature)	0 - 50 °C -10 - 60 °C	0 - 50 °C -10 - 60 °C
Temperature influence for 0 degree:	0.02 %/°C	—
Temperature influence for output:	0.01 %/°C	—
Cable:	Approx. 2 m	Approx. 2 m
Weight:	Approx. 325 g	Approx. 325 g

* It is the accuracy of the load cell and indicator combined.