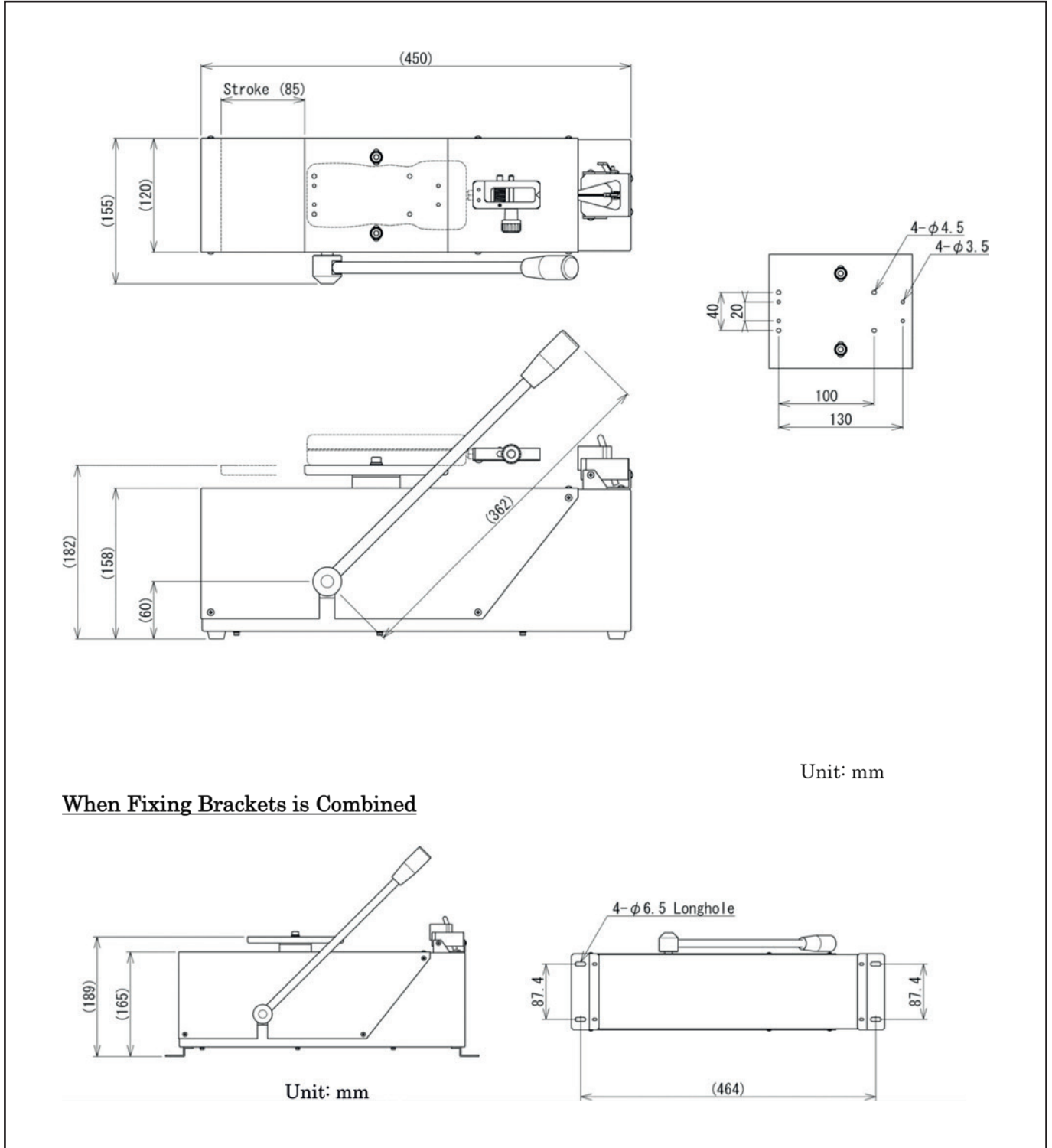
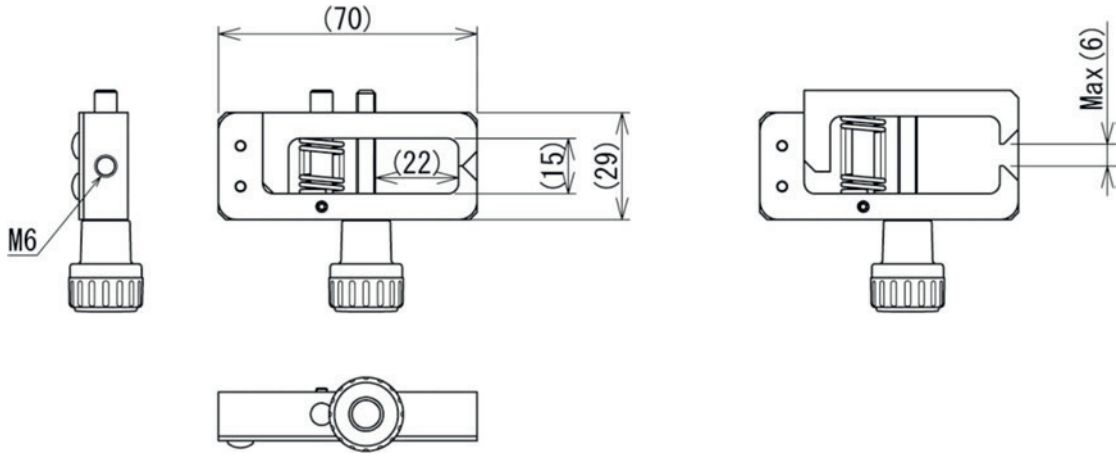


Test Stand LH-500N

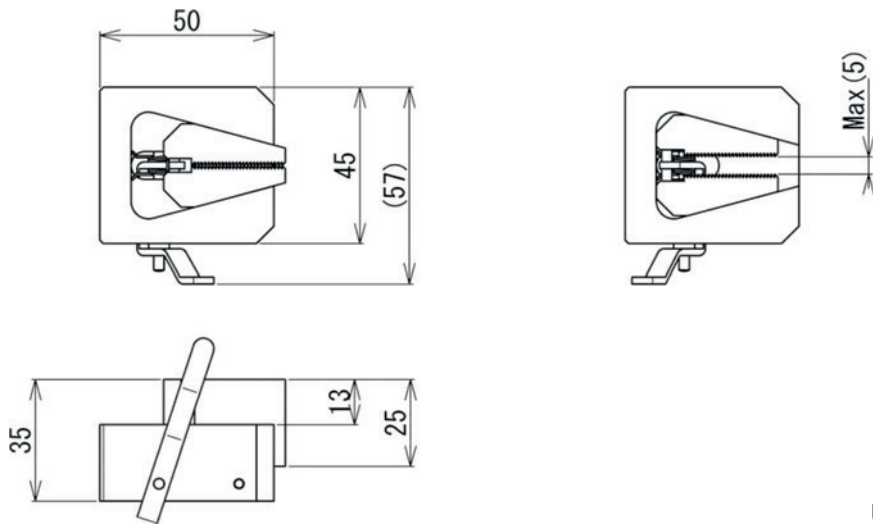


Specifications subject to change without notice!

CH-500N



CW-500N



Unit: mm