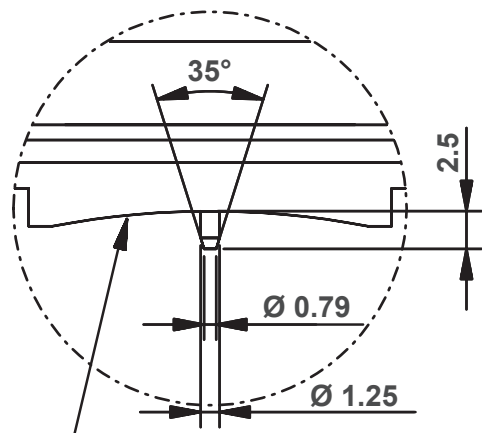
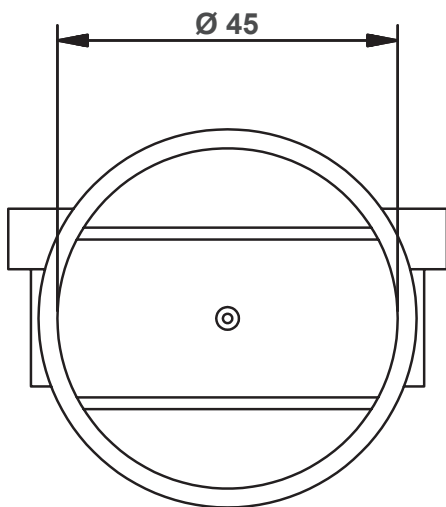
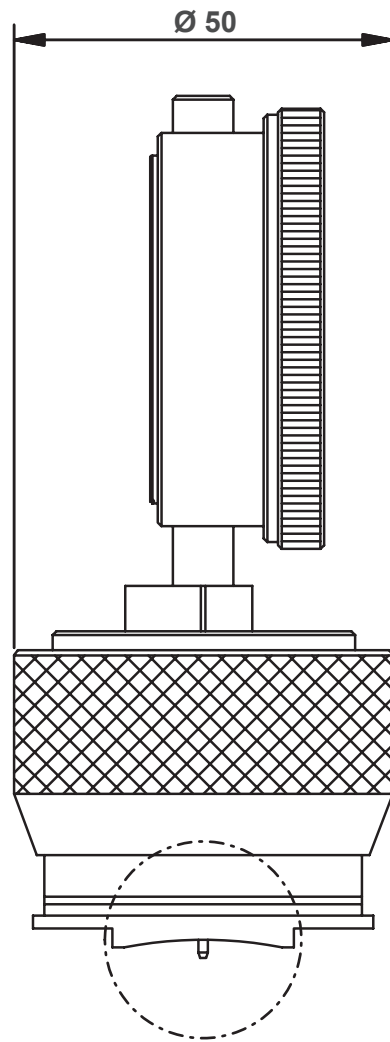
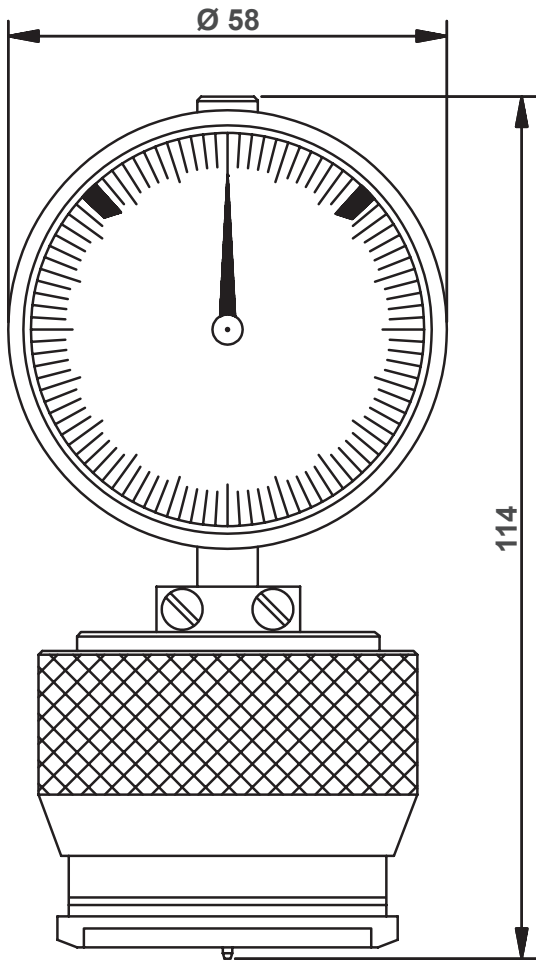


# Durometer HPSA-R



available radius 25, 35 or 55 mm

all dimensions in mm

Specifications subject to change without notice!

**Hans Schmidt & Co GmbH**  
P. O. B. 1154  
84464 Waldkraiburg Germany

Phone: int. + 49 / (0)8638 / 9410-0  
Fax: int. + 49 / (0)8638 / 4825

e-mail: info@hans-schmidt.com  
Internet: http://www.hans-schmidt.com