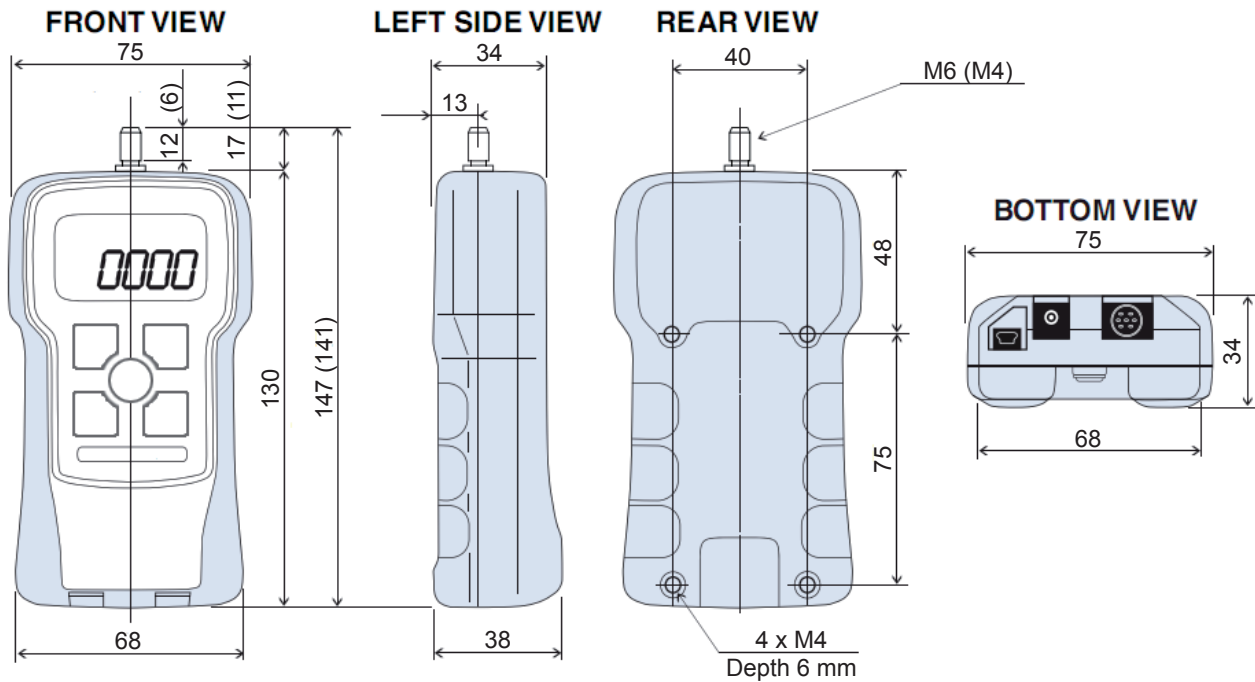


Force Gauge Model FGP



Mounting thread 4 x M4 - Depth max. 6 mm

Dimensions in bracket: Model FGP-0.2 and Model FGP-0.5