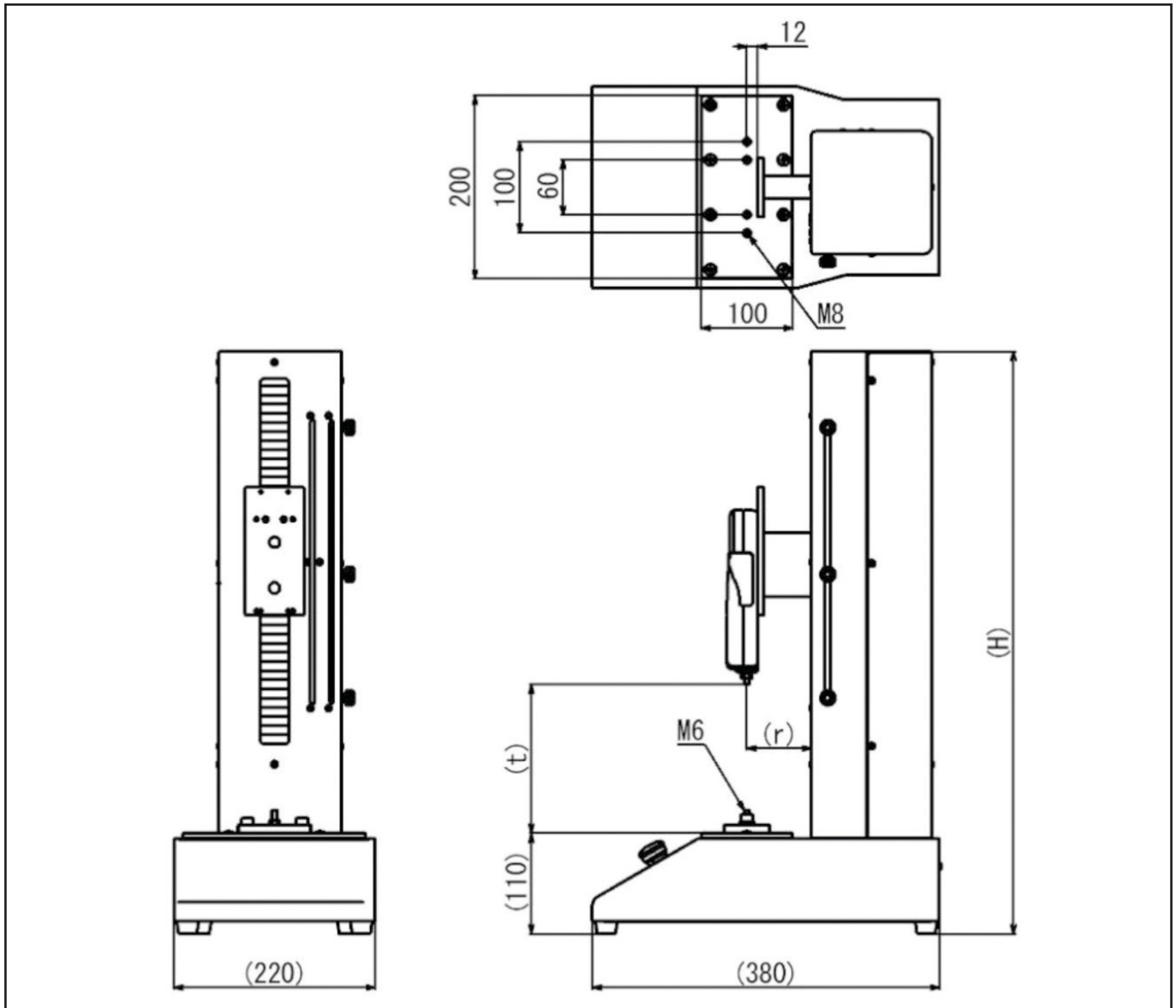


Test Stand EMX-500N



	Model	EMX-500N	EMX-500N-L
H		637	937
r	DST/DSV/ZTS/ZTA (2 N up to 1000 N)	70	
	DPU (up to 500 N)	68	
t	DST/DSV	300	600
	ZTS/ZTA (2 N up to 1000 N)	295	595
	DPU (2 N up to 10 N)	415	715
	DPU (20 N up to 500 N)	410	710

Specifications subject to change without notice!