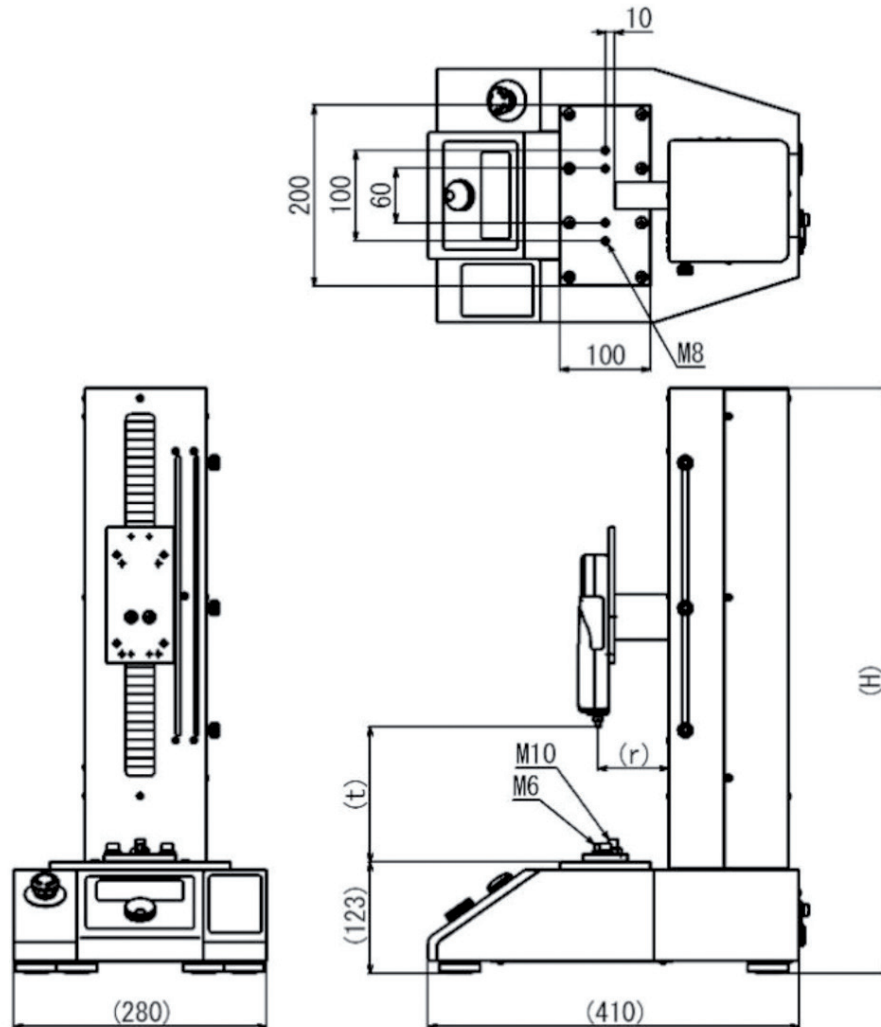


Test Stand Model EMX-1000N



Model		EMX-1000N	EMX-1000N-L
H		647	948
r	DST/DSV/ZTS/ZTA (2 N up to 1000 N)	78	
	ZT (2500 N up to 5000 N)	91	
	DPU (up to 500 N)	76	
	DPU (1000 N and more)	80	
t	DST/DSV	325	625
	ZTS/ZTA (2 N up to 1000 N)	320	620
	ZTS/ZTA (2500 N up to 5000 N)	365	665
	DPU (2 N up to 10 N)	380	680
	DPU (20 N up to 500 N)	375	675
	DPU (1000 N up to 5000 N)	300	600

*mounting block (optional) is required when mounting DPU-1000N to 5000N