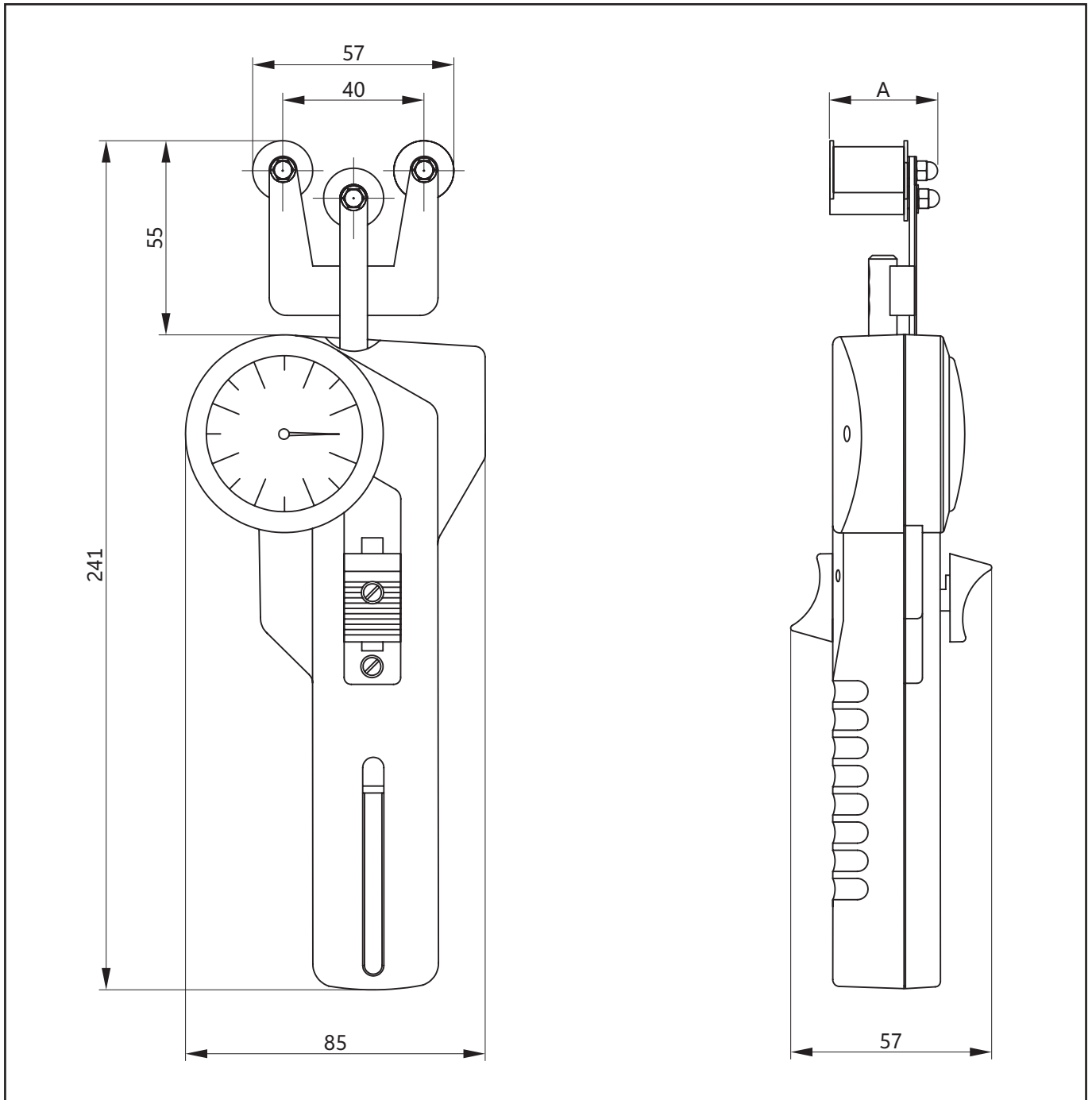


Tension Meter DXT: 10 - 50 cN up to 100 - 1000 cN

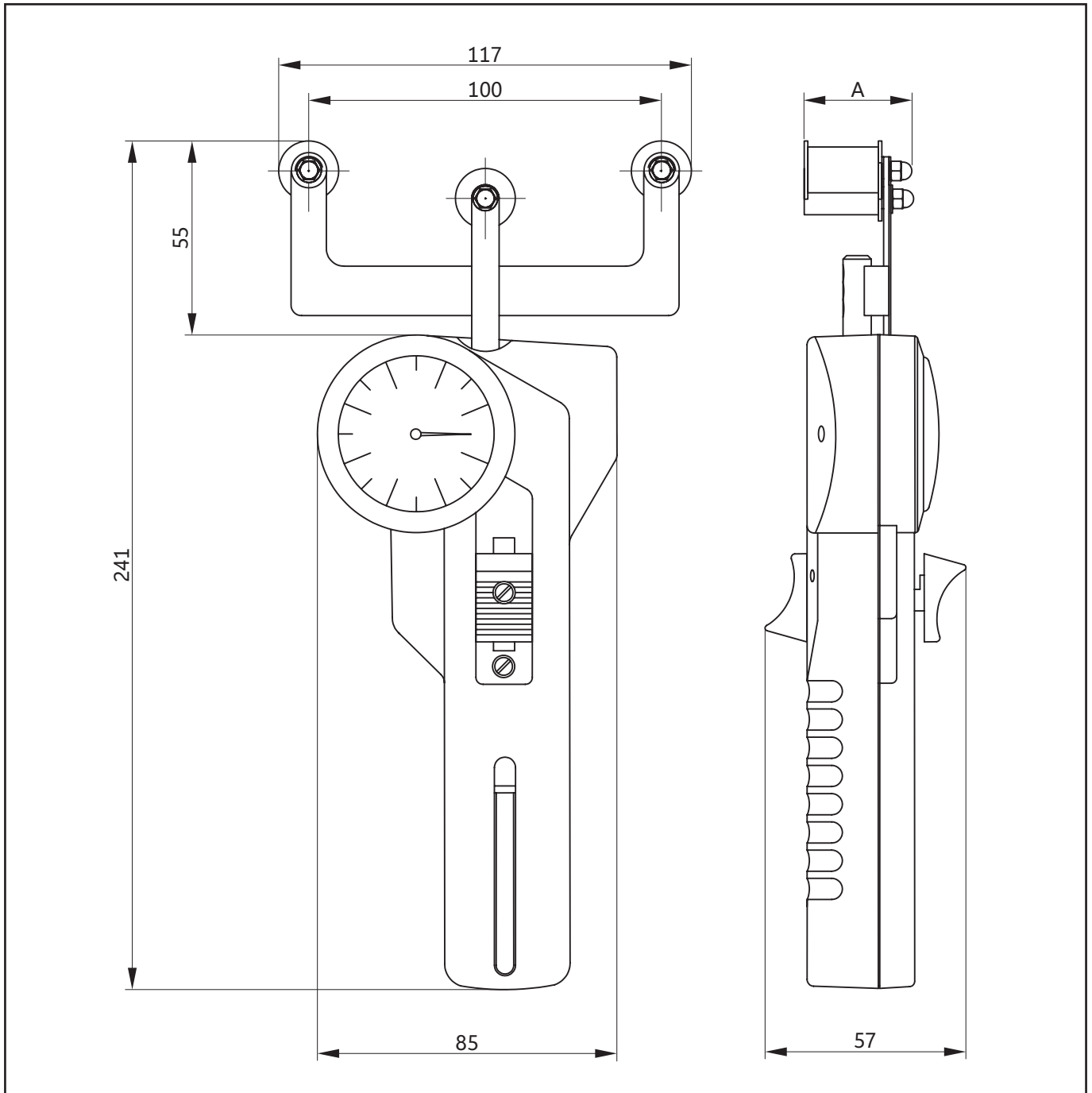


Specifications subject to change without notice!

Rollenbreite	A
7 mm	19 mm
10 mm	22 mm
15 mm	27 mm
20 mm	32 mm

Rollenbreite	A
30 mm	42 mm
36 mm	48 mm
41 mm	53 mm
50 mm	64 mm

Tension Meter DXT: 200 - 2000 cN up to 2.5 - 10 daN

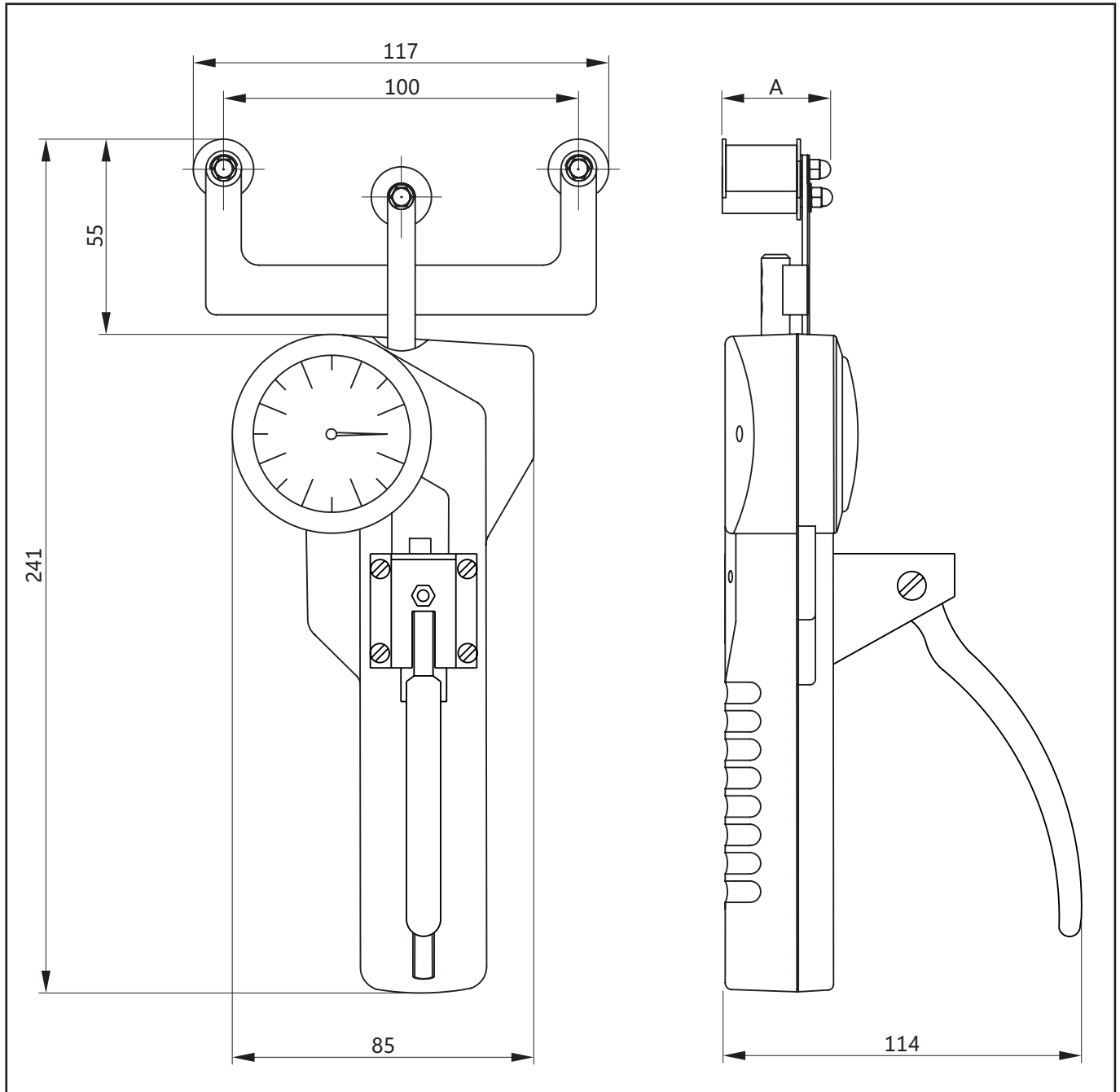


Specifications subject to change without notice!

Rollenbreite	A
7 mm	19 mm
10 mm	22 mm
15 mm	27 mm
20 mm	32 mm

Rollenbreite	A
30 mm	42 mm
36 mm	48 mm
41 mm	53 mm
50 mm	64 mm

Tension Meter DXT: 5 - 20 daN



Specifications subject to change without notice!

Rollenbreite	A
7 mm	19 mm
10 mm	22 mm
15 mm	27 mm
20 mm	32 mm