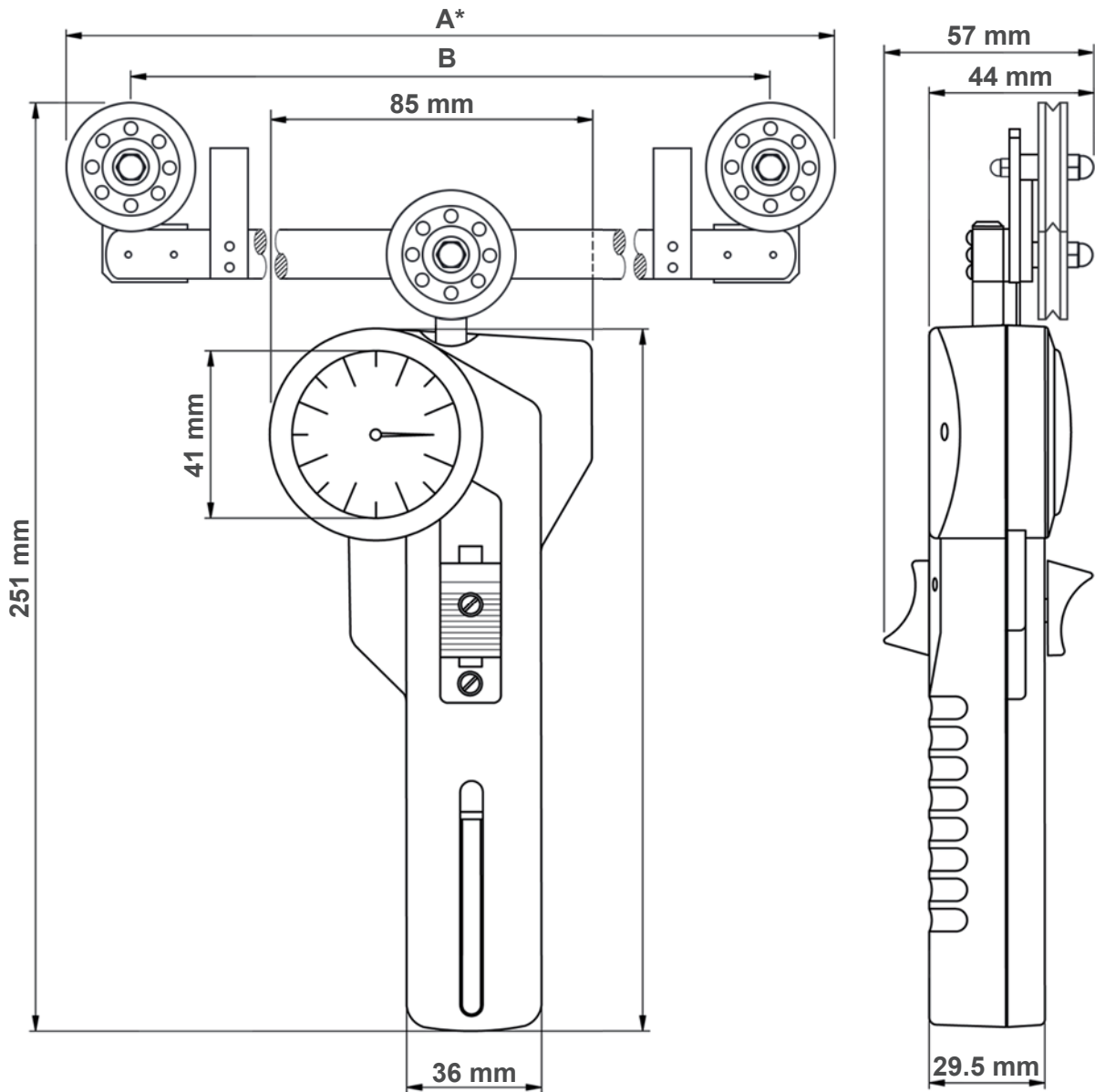


Tension Meter Model DXL



*The measuring head width is depending on the outer distance between outside guide rollers.

Model	A	B
DXL-2000	approx. 235 mm	200 mm
DXL-5000		
DXL-10K	approx. 288 mm	250 mm