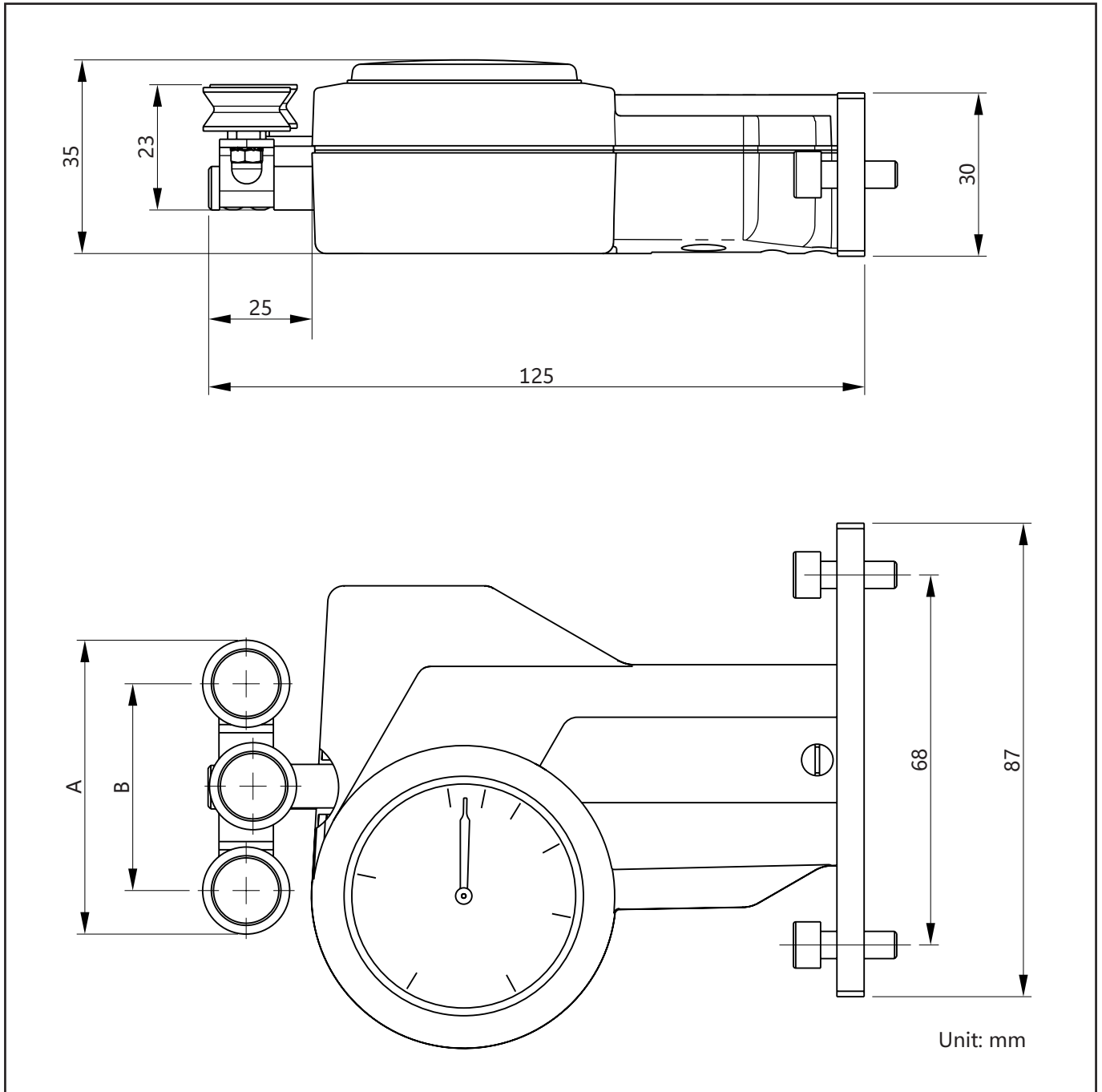


## Tension Meter DX2S



Specifications subject to change without notice!

Model	A	B
DX2S-50	approx. 54 mm	38 mm
DX2S-120		
DX2S-200		
DX2S-400		
DX2S-1000		

Model	A	B
DX2S-2000	approx. 116 mm	100 mm
DX2S-5000		
DX2S-8000		
DX2S-10K		
DX2S-20K	approx. 216 mm	200 mm