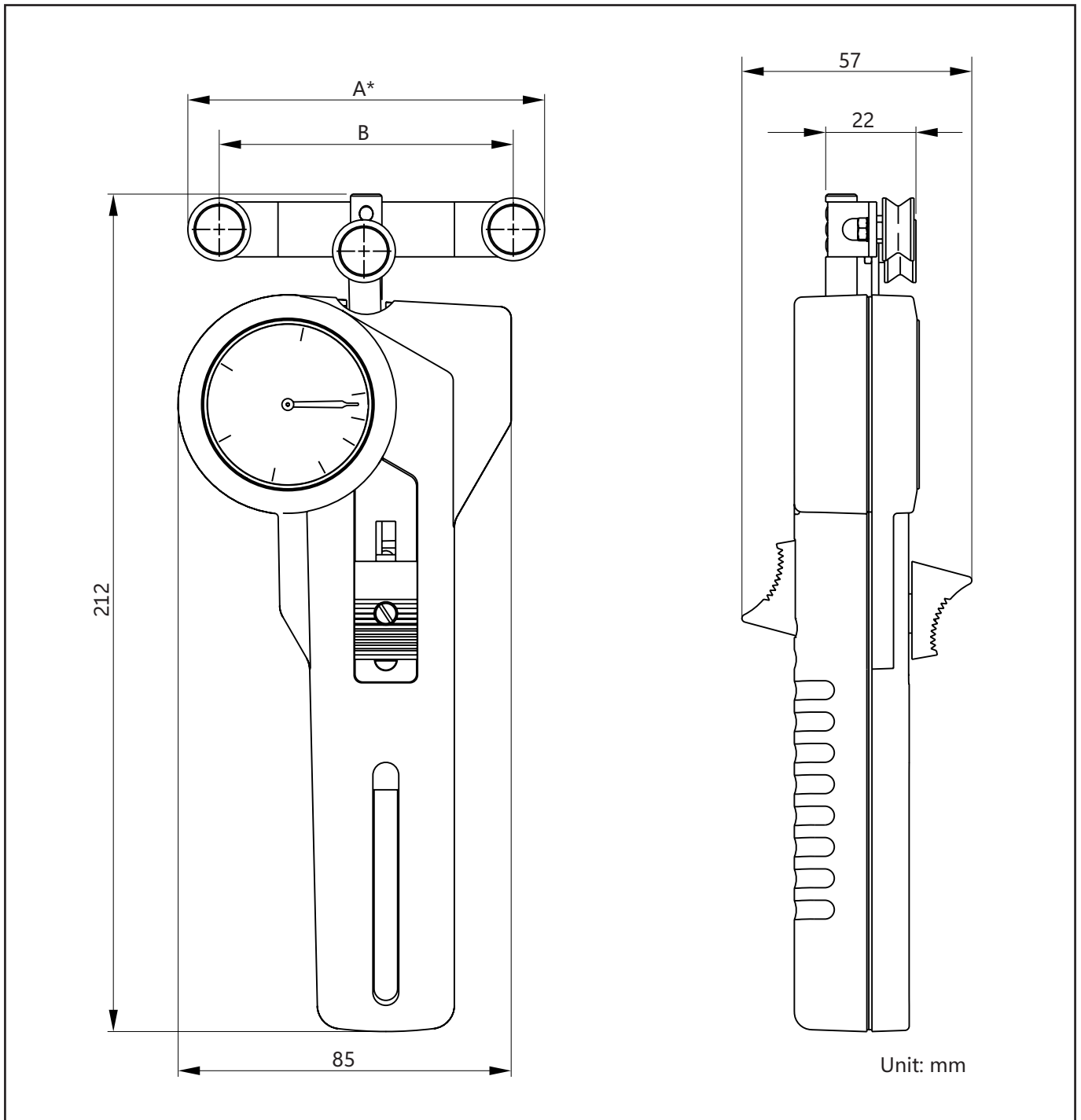


Tension Meter DX2-EDM



Specifications subject to change without notice!

Model	A	B
DX2-2000-EDM	approx. 91 mm	75 mm
DX2-3000-EDM		
DX2-4000-EDM	approx. 116 mm	100 mm