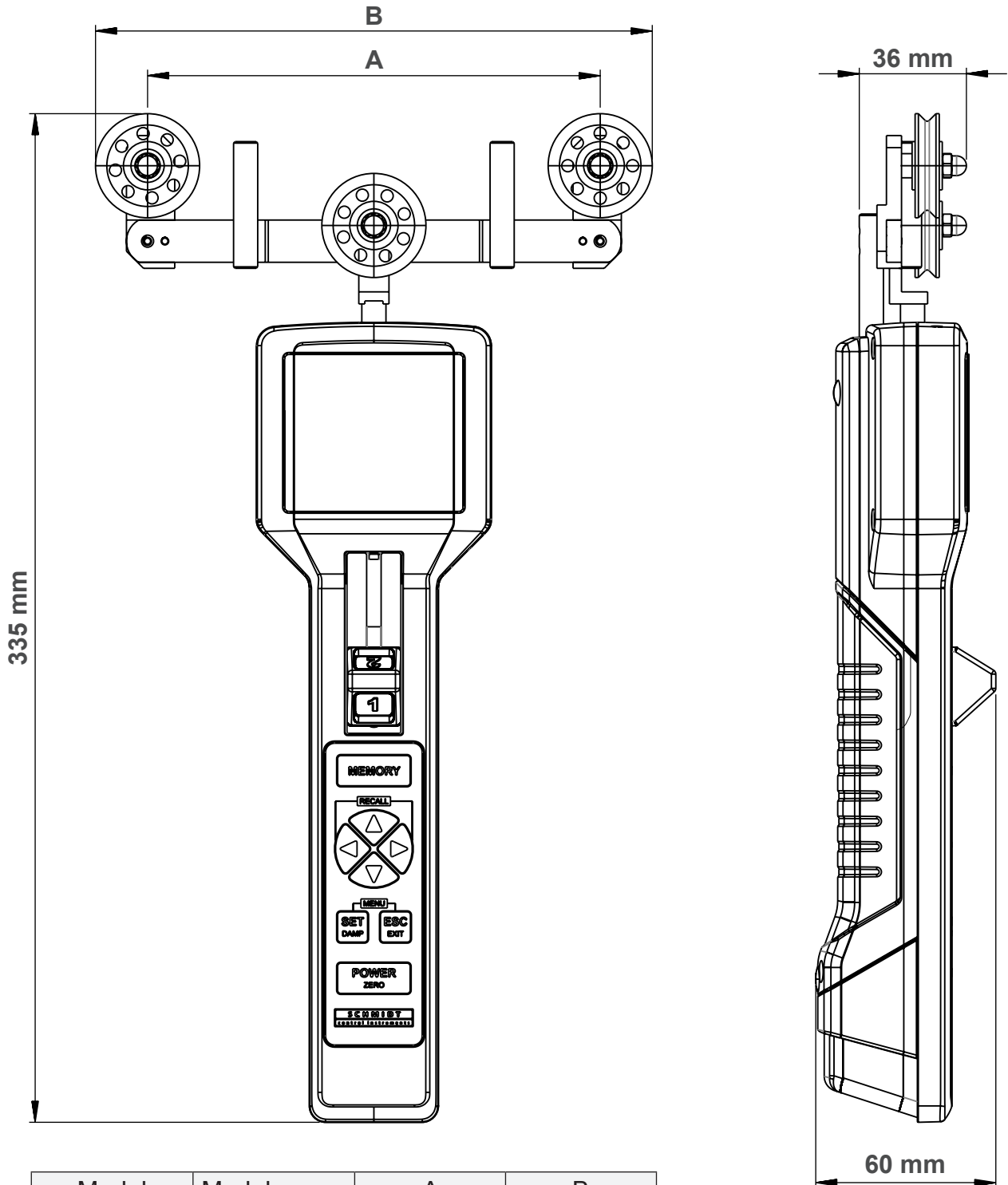


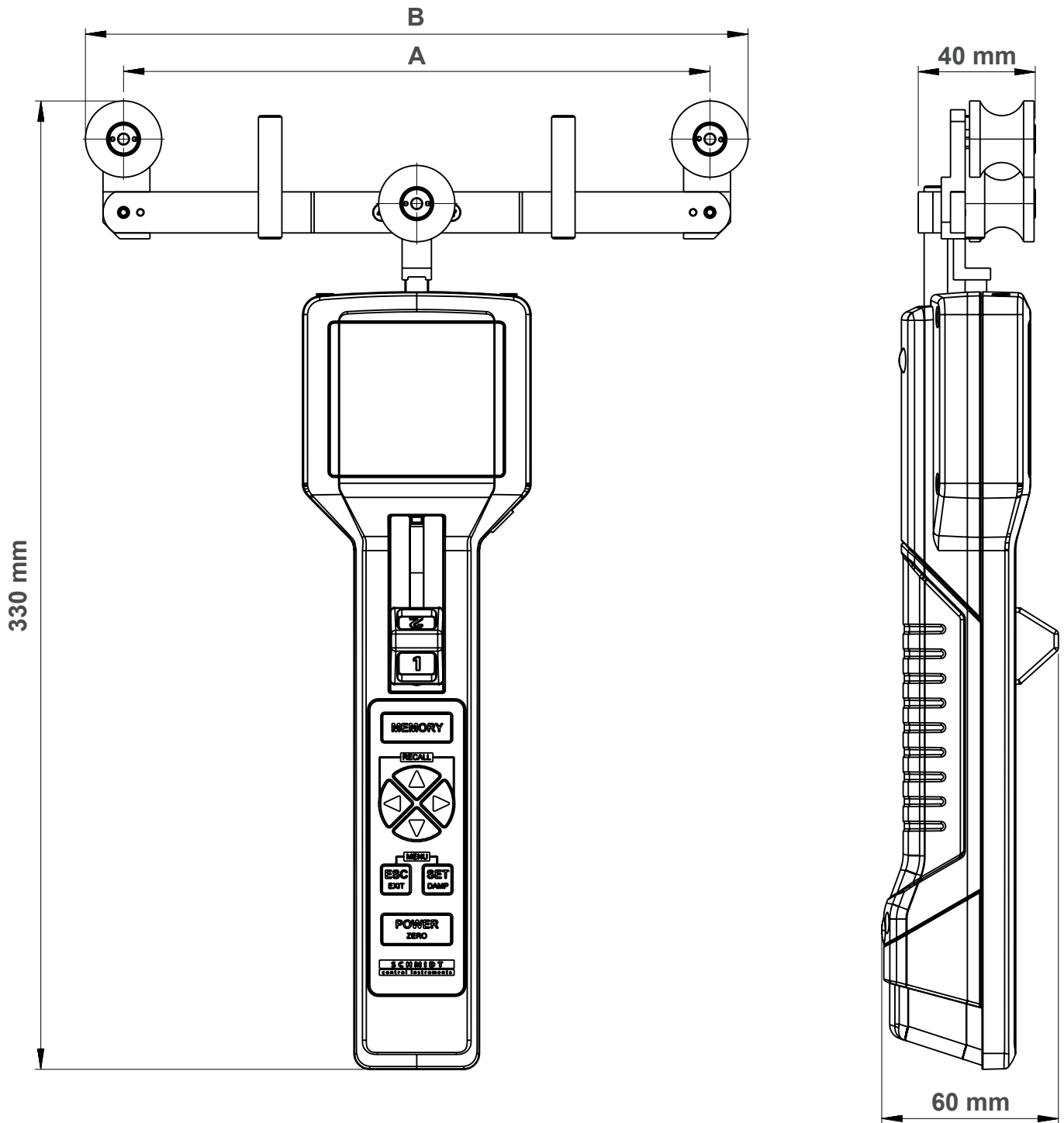
Models DTSL and DTXL: 150 - 2500 N up to 2 - 20 daN  
(with standard rollers)



Model	Model	A	B
DTSL-2500	DTXL-2500	150 mm	185 mm
DTSL-5000	DTXL-5000		
DTSL-10K	DTXL-10K	200 mm	235 mm
DTSL-20K	DTXL-20K		

Specifications subject to change without notice!

## Models DTSL and DTXL: 5 -50 N up to 6 - 60 daN



Model	Model	A	B
DTSL-50K-R4	DTXL-50K-R4	200 mm	226 mm
DTSL-50K-R5	DTXL-50K-R5		
DTSL-60K-R4	DTXL-60K-R4	250 mm	276 mm
DTSL-60K-R5	DTXL-60K-R5		

Specifications subject to change without notice!