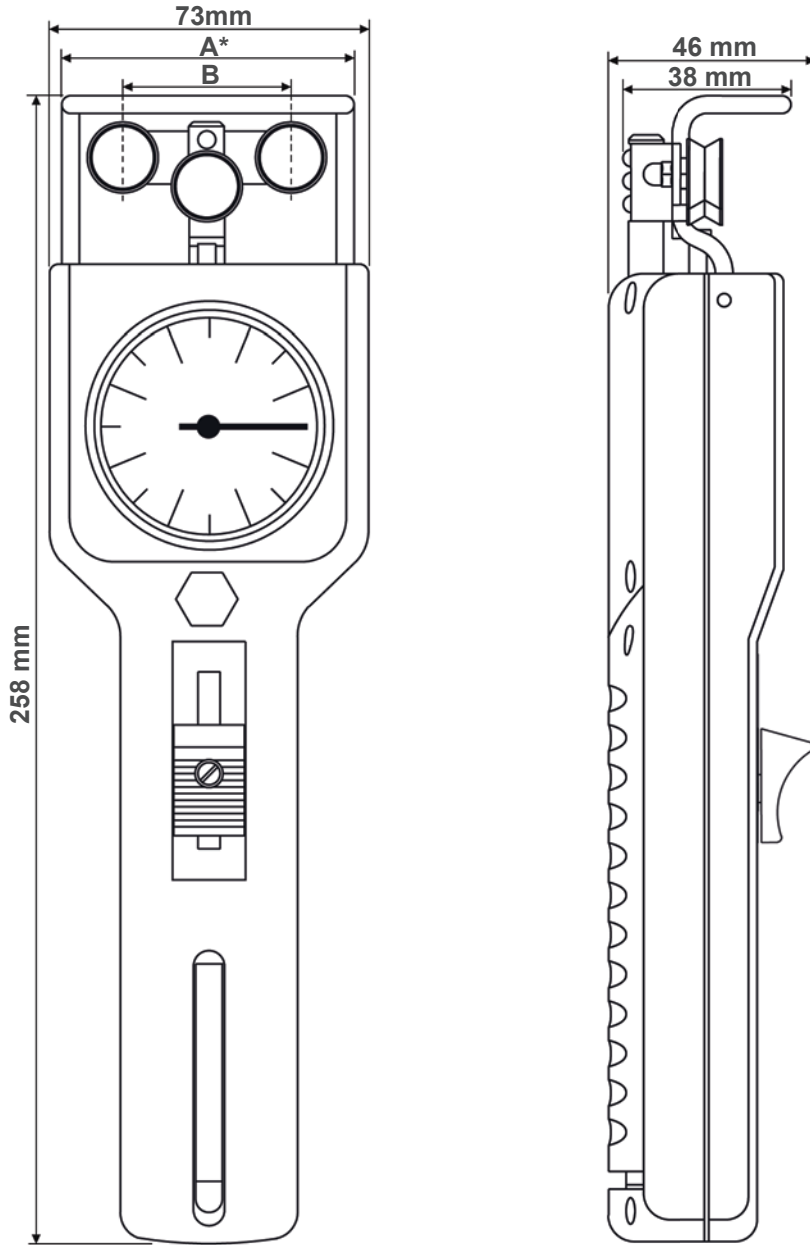


Models DN1: 20 - 120 cN up to 2 - 10 daN

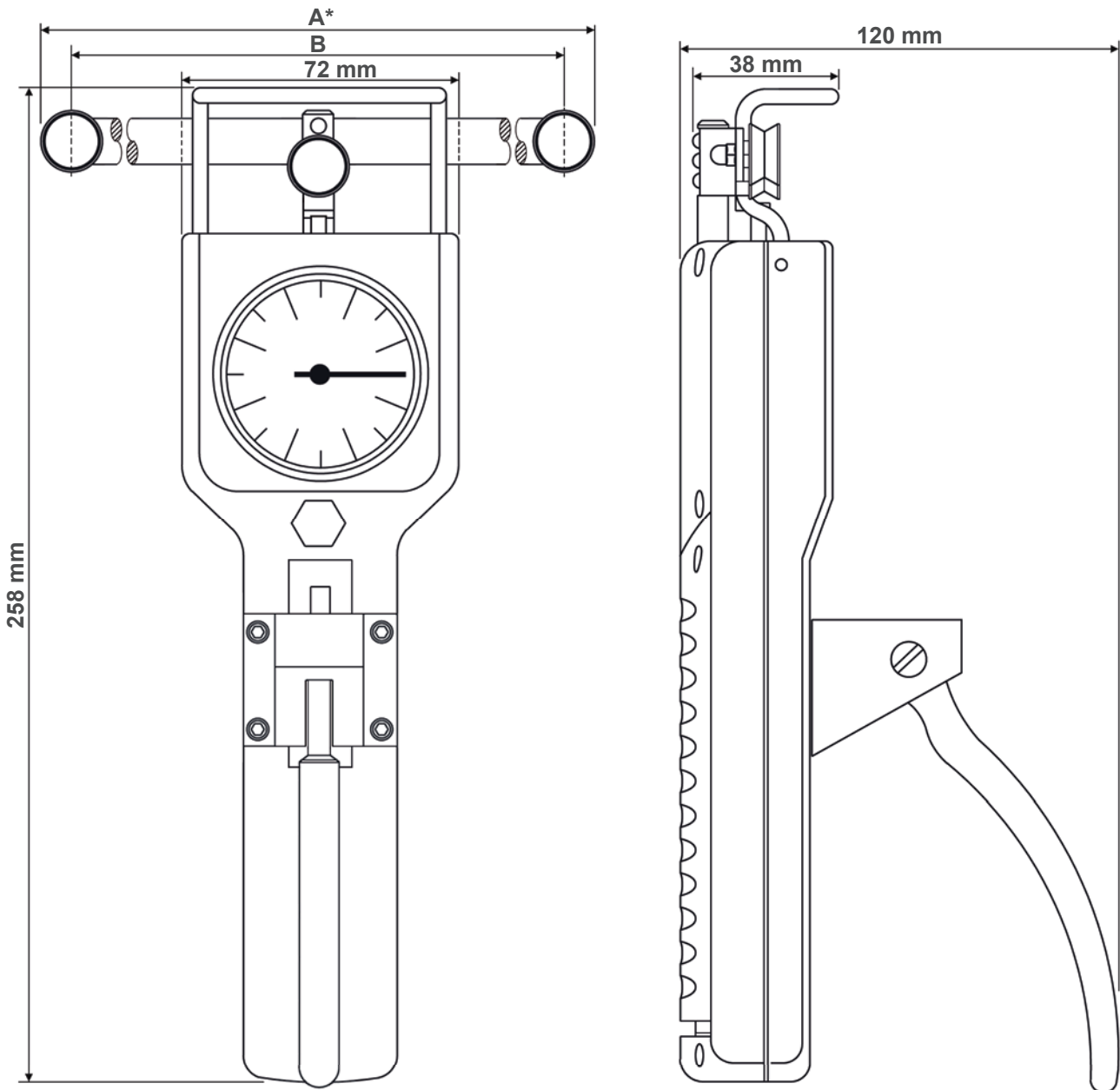


*The measuring head width is depending on the width of filament guide or outer distance between outside guide rollers respectively.

Model	A	B
DN1-120	65 mm	38 mm
DN1-200		
DN1-400		
DN1-1000		

Model	A	B
DN1-2000	approx. 116 mm	100 mm
DN1-3500		
DN1-5000		
DN1-8000		
DN1-10K		

Models DN1: 5 - 20 daN up to 5 - 50 daN



*The measuring head width is depending on the outer distance between outside guide rollers.

Model	A	B
DN1-20K-L	approx. 216 mm	200 mm
DN1-30K-L	approx. 265 mm	250 mm
DN1-50K-L	approx. 265 mm 285 mm ¹	

¹only with guide rollers Code V1