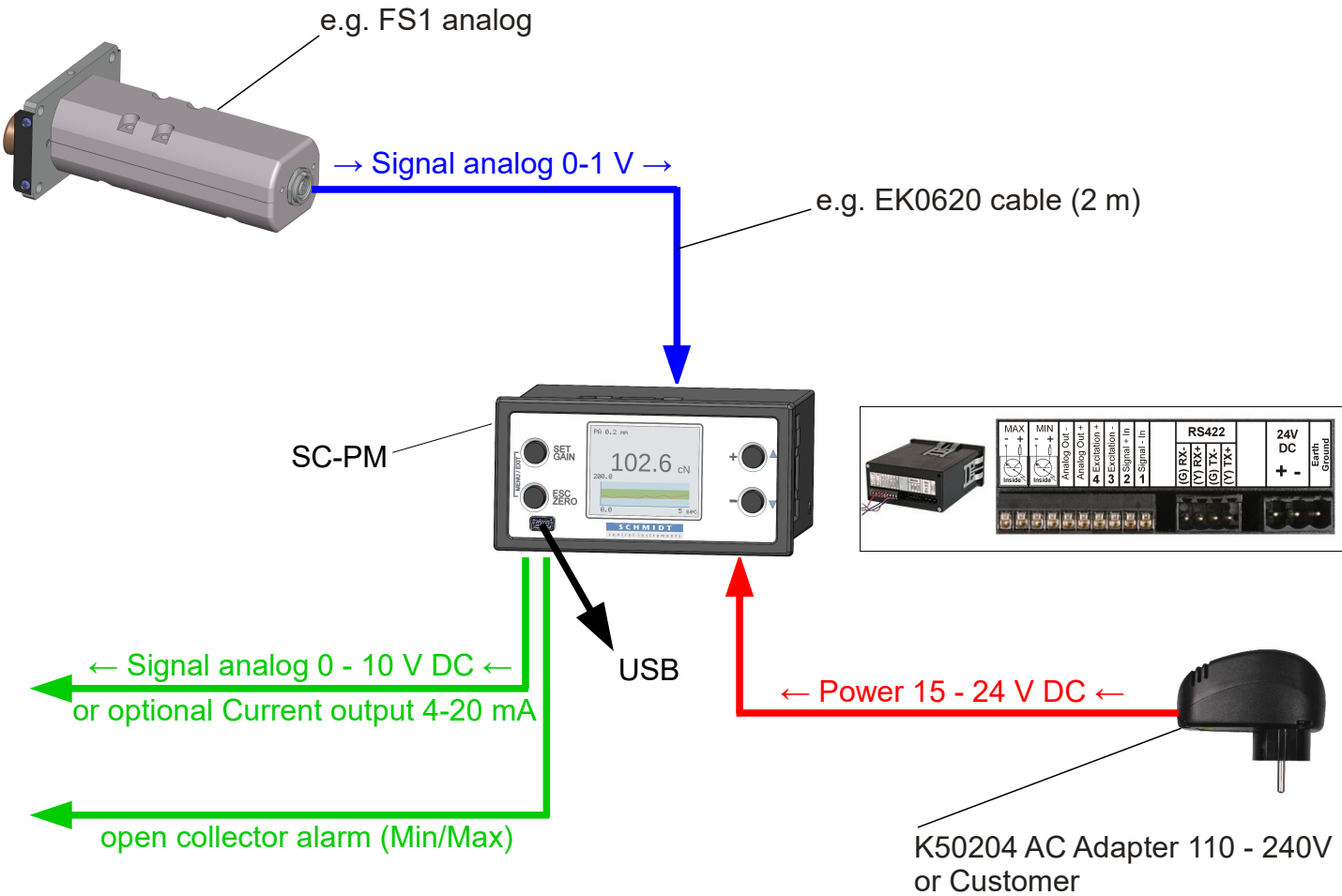


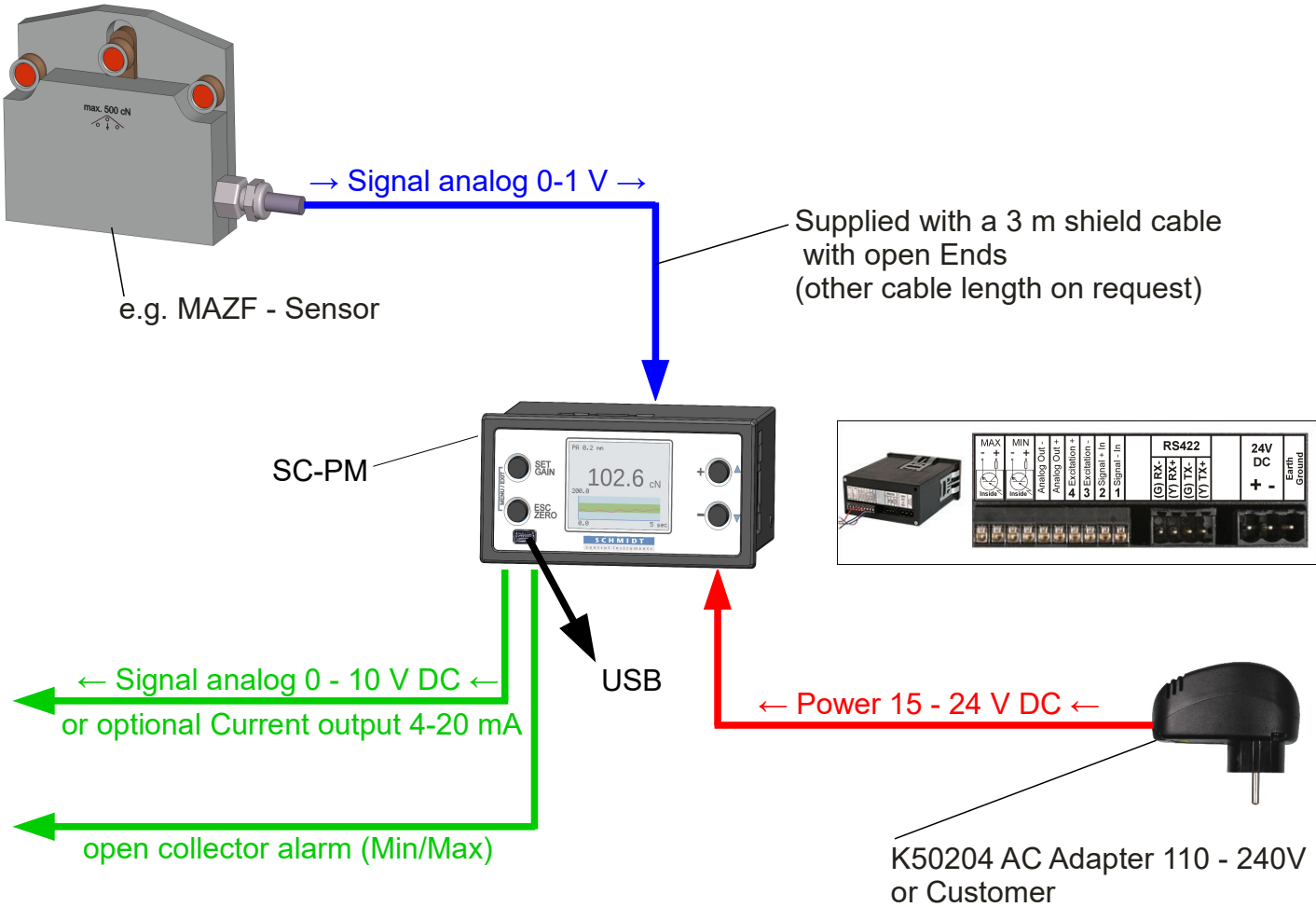
FS - Sensor with Display SC-PM

outputs: USB, RS 422, analog and alarm

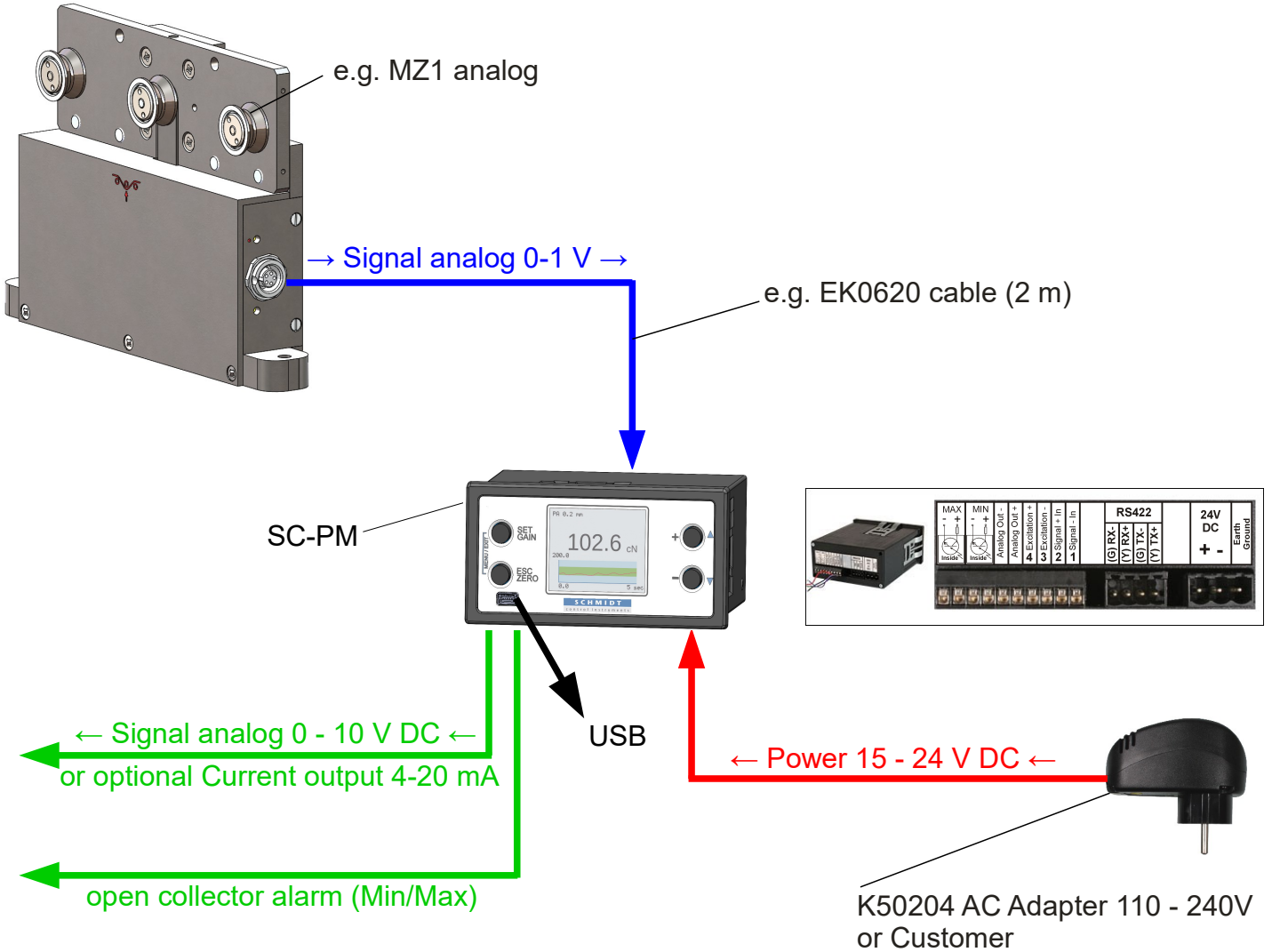


MZ - Sensor with Display SC-PM

outputs: USB, RS 422, analog and alarm



MZ1 / MZH / MZB1 - Sensor with Display SC-PM outputs: USB, RS 422, analog and alarm



TS-Sensor with Display SC-PM

outputs: USB, RS 422, analog and alarm

