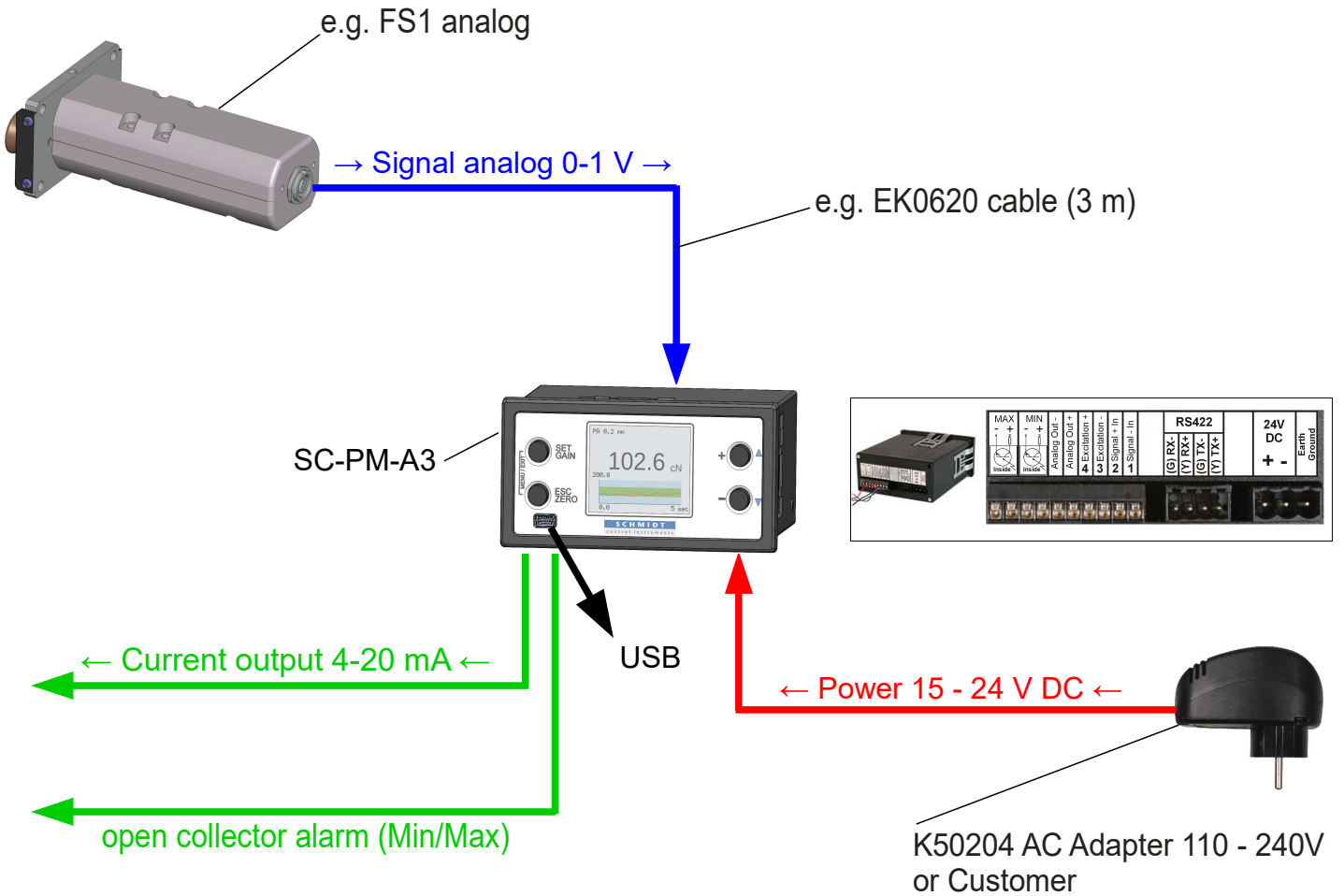


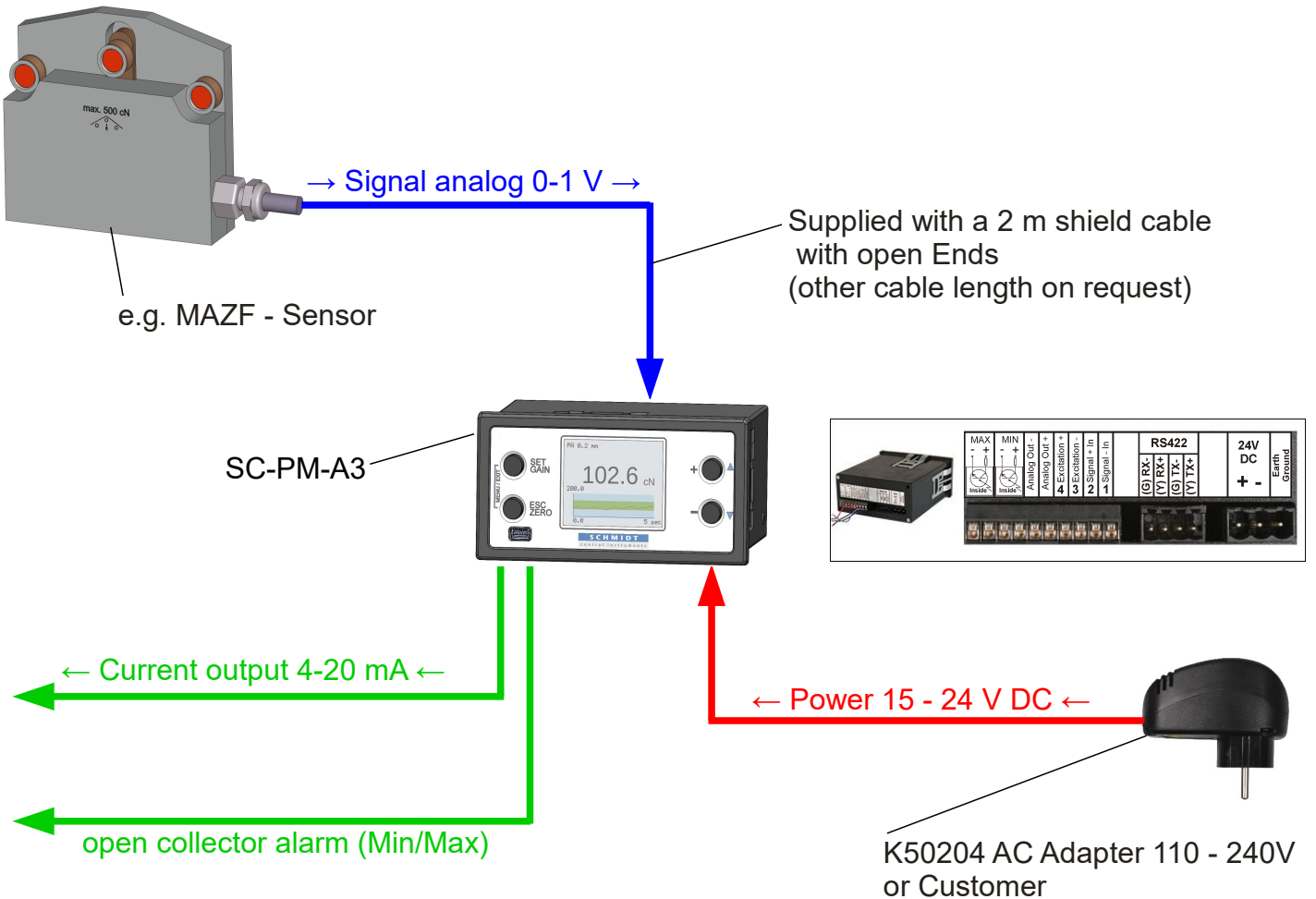
FS - Sensor with Display SC-PM-A3

outputs: USB, RS 422, analog and alarm



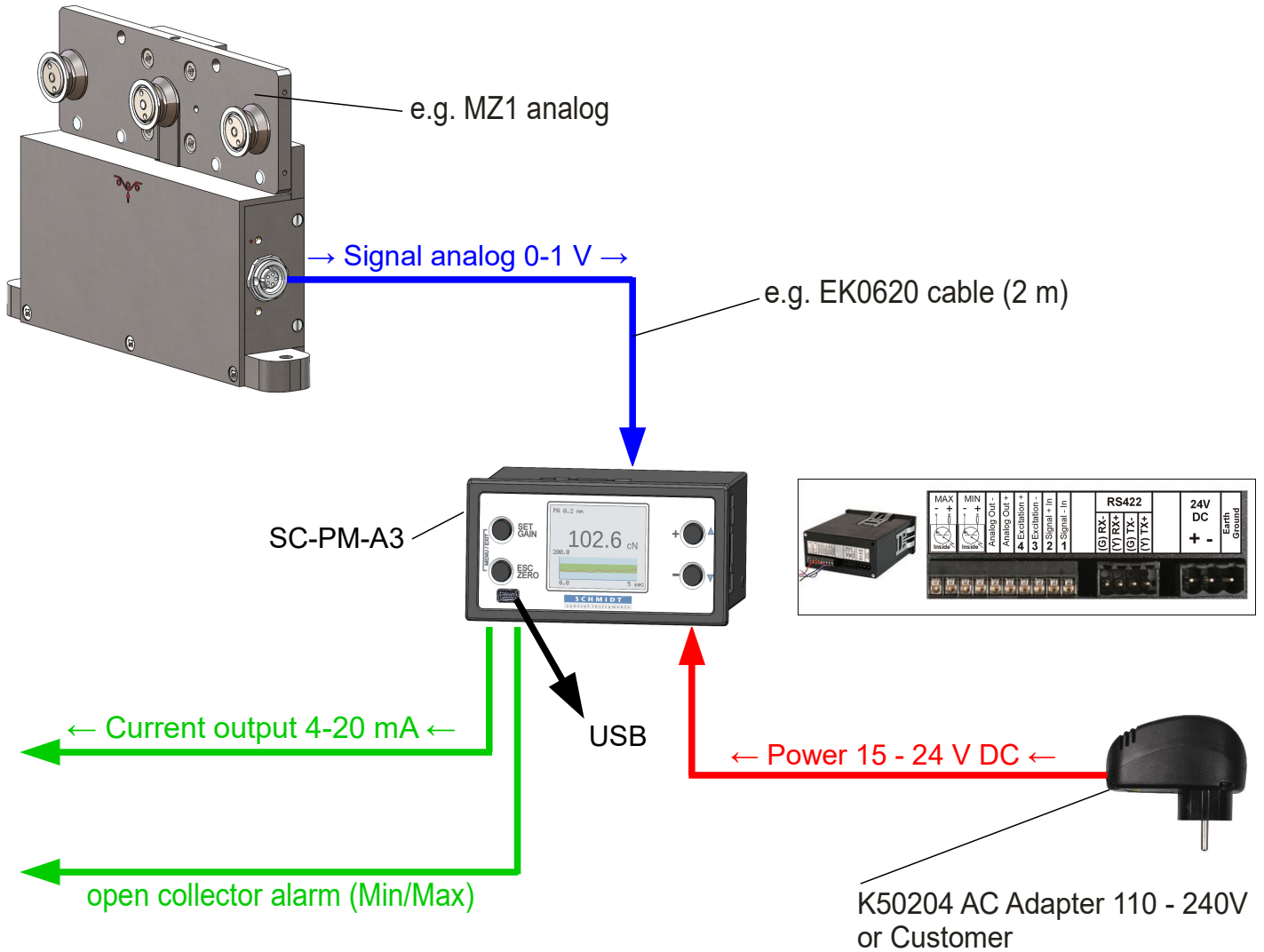
MZ - Sensor with Display SC-PM-A3

outputs: USB, RS 422, analog and alarm



MZ1 /MZH / MZB1 - Sensor with Display SC-PM-A3

outputs: USB, RS 422, analog and alarm



TS - Sensor with Display SC-PM-A3

outputs: USB, RS 422, analog and alarm

