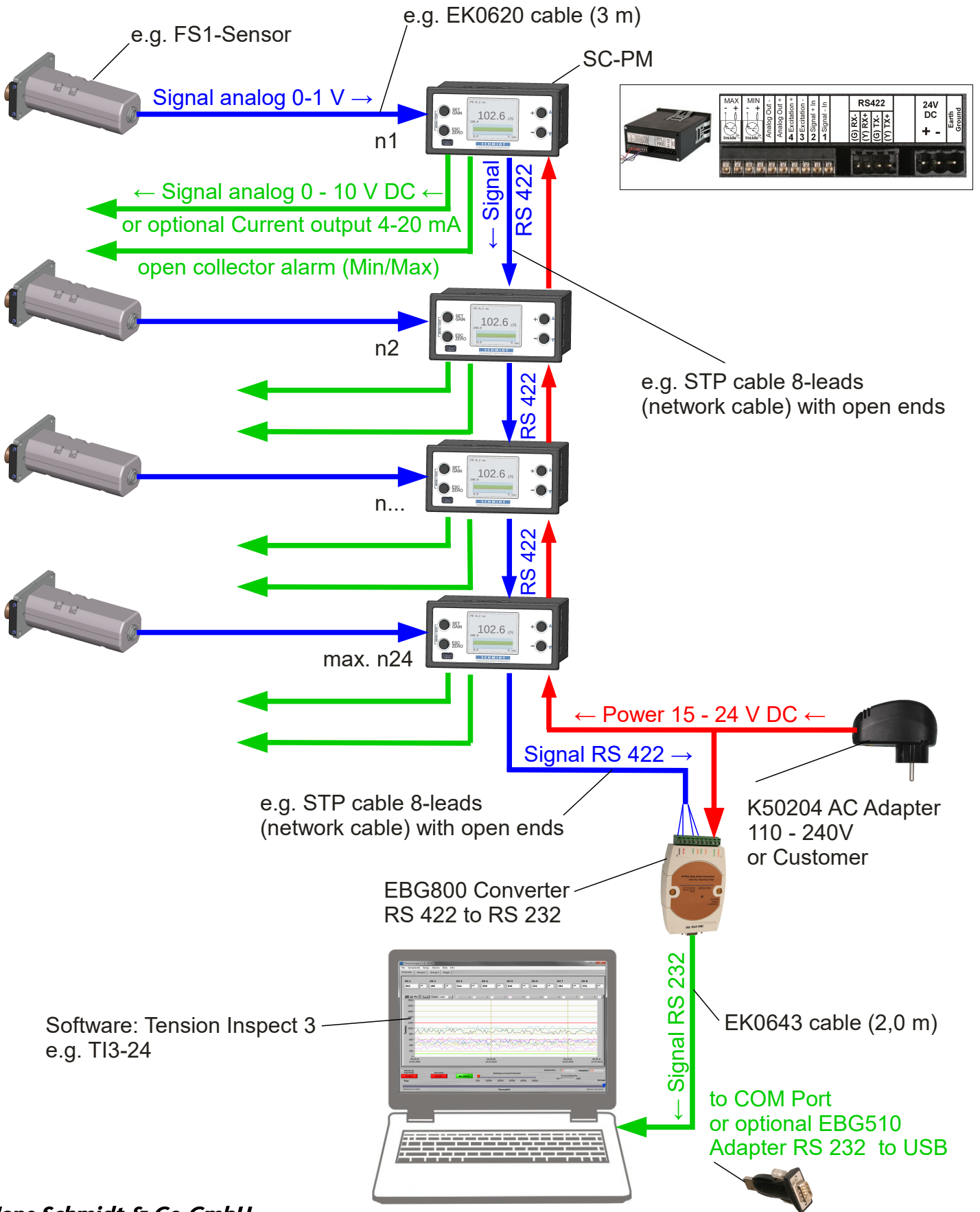


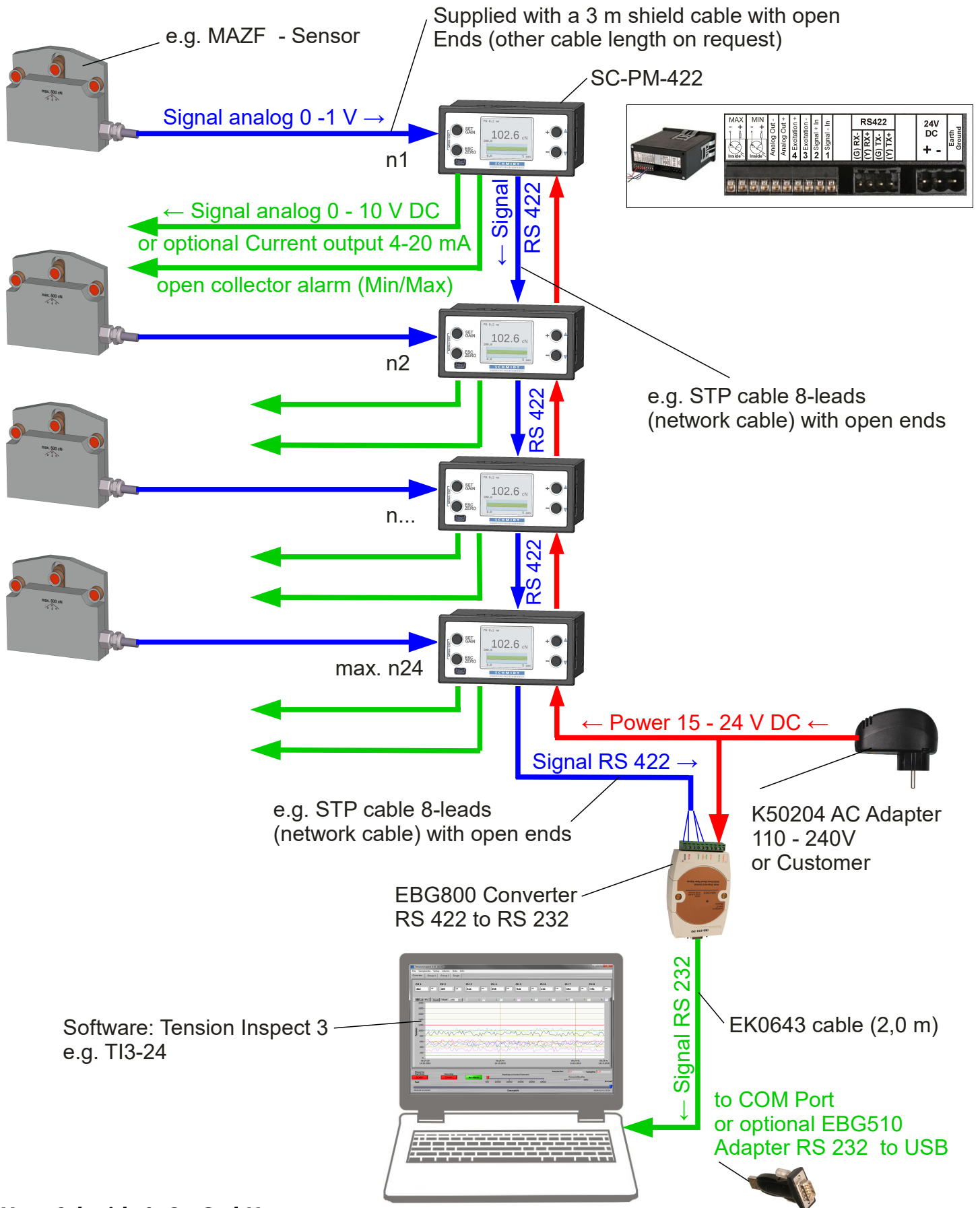
# 24 FS1 Sensor with Display SC-PM

outputs: RS 422, analog and alarm



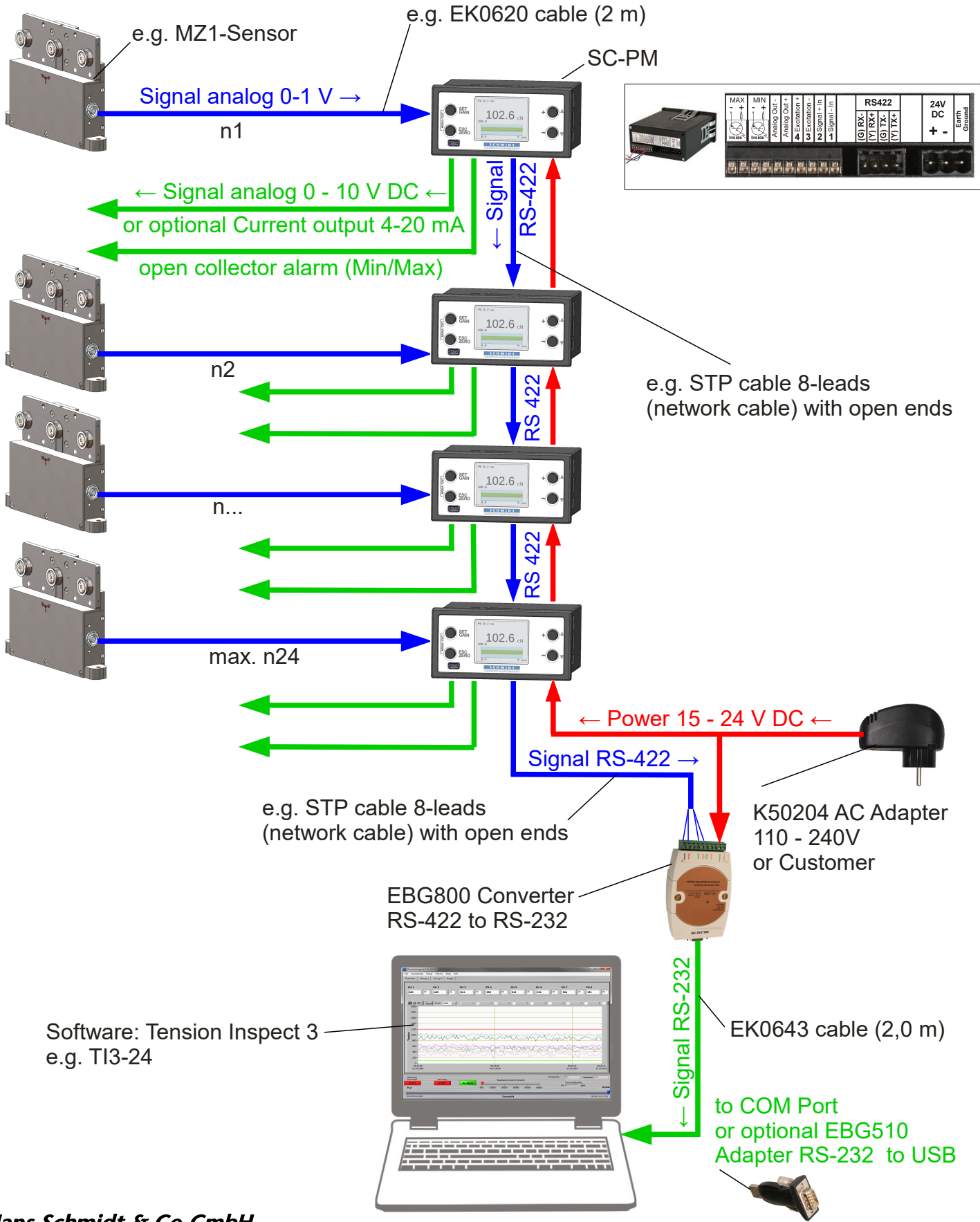
# 24 MZ - Sensor with Display SC-PM

outputs: RS 422, analog and alarm



Software: Tension Inspect 3  
e.g. TI3-24

max. 24xMZ1 / MZH / MZB1 Sensor with Display SC-PM  
outputs: RS-422, analog and alarm



# 24 TS-Sensor with Display SC-PM

outputs: RS 422, analog and alarm

