

Universal Joint UJ6-1000N and UJ10-5000N



UJ6-1000N



UJ10-5000N

Feature

- Ensures accurate measurement as the joint prevents unbalanced force application to the sample.
- Available for force gauges with M6 and M10 plug gauge.

Applications

- The universal joint is attached to the force gauge, the clamp to the joint.



Note

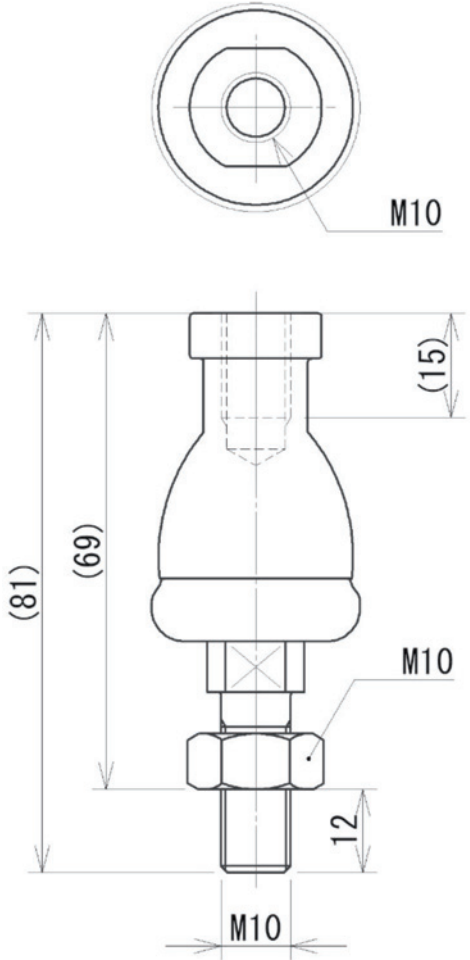
- Combining with a test stand, more stable measuring becomes possible.
- All information is subject to change without prior notice.
- Not suitable for all materials and shapes

Specifications

	UJ6-1000N	UJ10-5000N
Capacity	1000 N	5000 N
Weight	Approx. 25 g	Approx. 140 g
Mounting screw	M6	M10

Dimensional drawing

UJ10-5000N



UJ6-1000N

