

Fine point grips SC-3 and SC-8



SC-3



SC-8

Features

- Suitable for gripping small and thin samples in limited space areas.
- Light grips for measuring small forces.

Application

- The fine point grip series SC is installed on the force gauge as an attachment for tensile test of various test pieces



Note

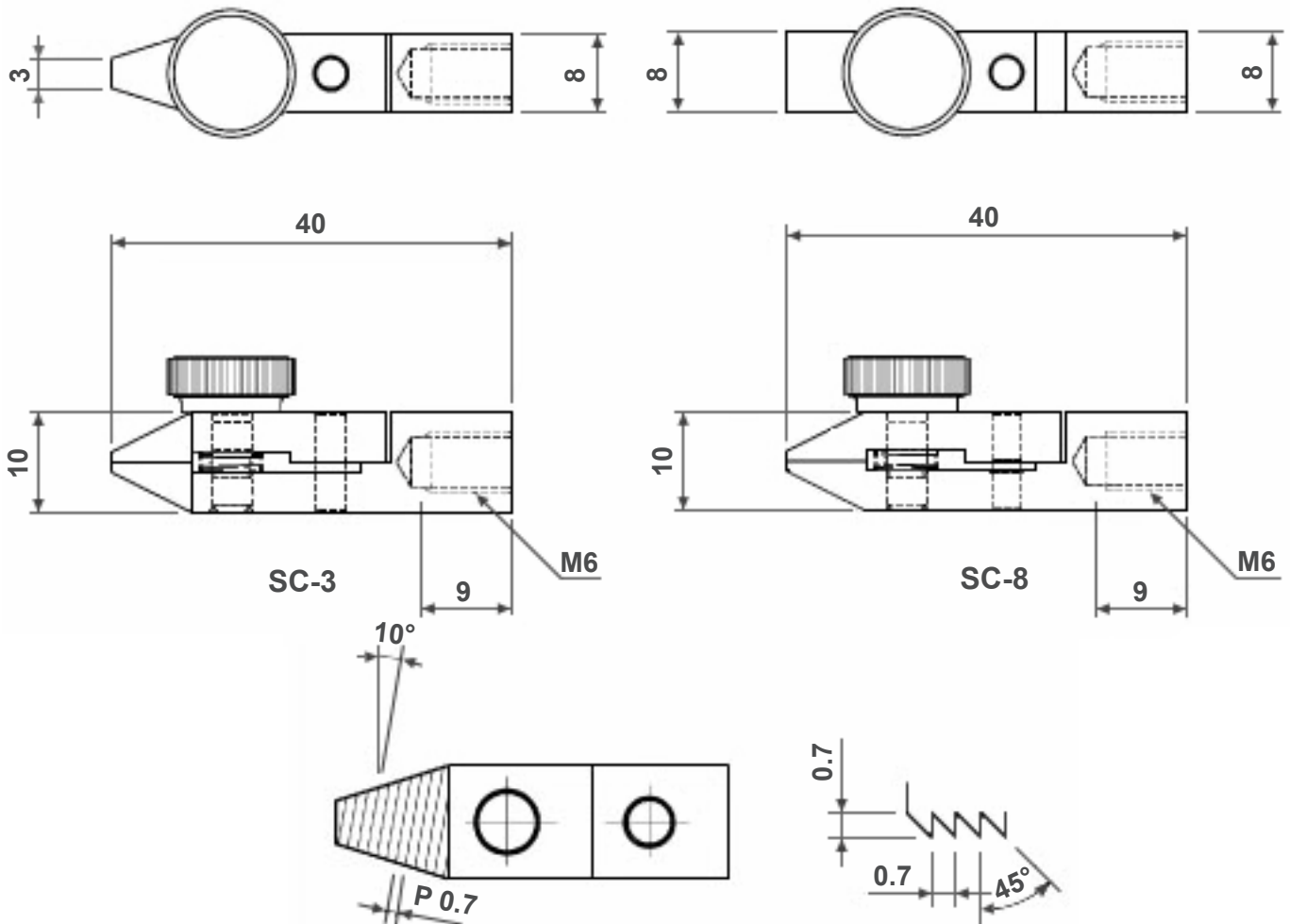
- The fine point grips can not grip particular material or shape.
- Combining with a test stand, more stable measuring becomes possible.
- All information is subject to change without prior notice.

Specifications

	SC-3	SC-8
Jaw face width	3 mm	8 mm
Opening range	max. 1 mm	
Capacity	100 N	150 N
Mounting screw	M6	
Material	Steel	
Weight*	Approx. 21 g	Approx. 21 g

*The weight of the attachment is also applied as load on the force gauge and had to be considered when selecting the capacity.

Dimensional drawing



Serration detail