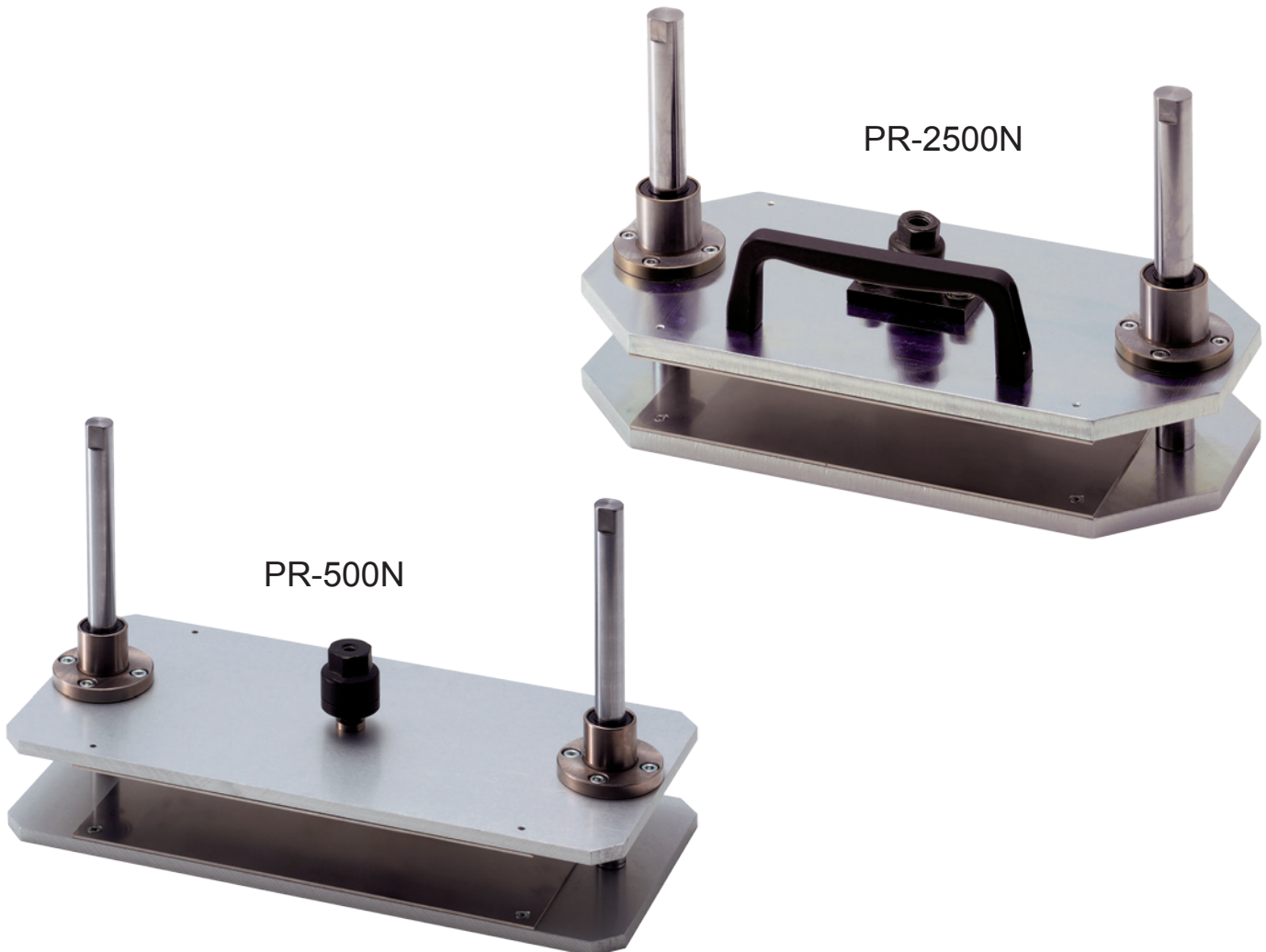


Attachment for pressure tests PR-500N, PR-2500N

Fixture for checking the durability of
retorte pouches and heat seal packages



Features

- Convenient for checking the durability of retorte pouches, heat seal packages or boxes.
- The large area of the test fixture allows the compressive force to be applied to the whole sample.

Applications

- JIS Z0238:1998 - Testing methods for heat-seald flexible packages.



Specifications

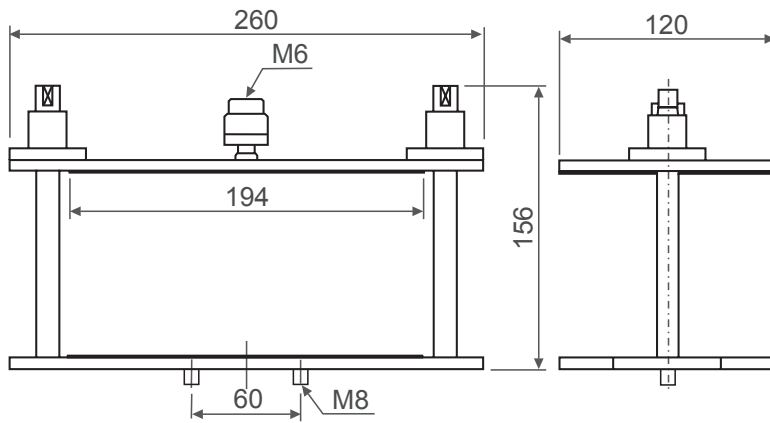
Model	PR-500N	PR-2500N
Capacity	500 N	2500 N
Max. size of sample (WxDxH)	194 x 120 x 105 mm	200 x 140 x 105 mm
Weight upper part	Aprox. 0.9 kg	Aprox. 3.1 kg
Weight bottom part	Aprox. 1 kg	Aprox. 3.2 kg
Mounting screw for force gauge	M6	M10

Note

- For measurements with the PR series attachment a force gauge and test stand is required.
- All information is subject to change without prior notice.

Dimensional drawing

PR-500N



PR-2500N

