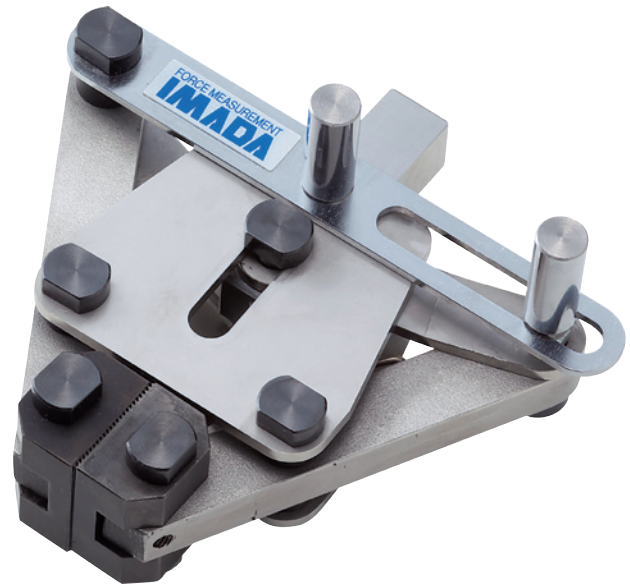


## Pantograph PGC-0510, PGC-0505, PGC-2530



PGC-0510



PGC-2530

### Features

- For wide purpose by wide open jaw grips
- One hand operation
- Enables to grip easily deformable samples such as rubber and resin due to its self-tightening pantograph mechanism.

## Applications

- This can be used for various materials such as lead wire, films, paper, rubber, etc.



## Note

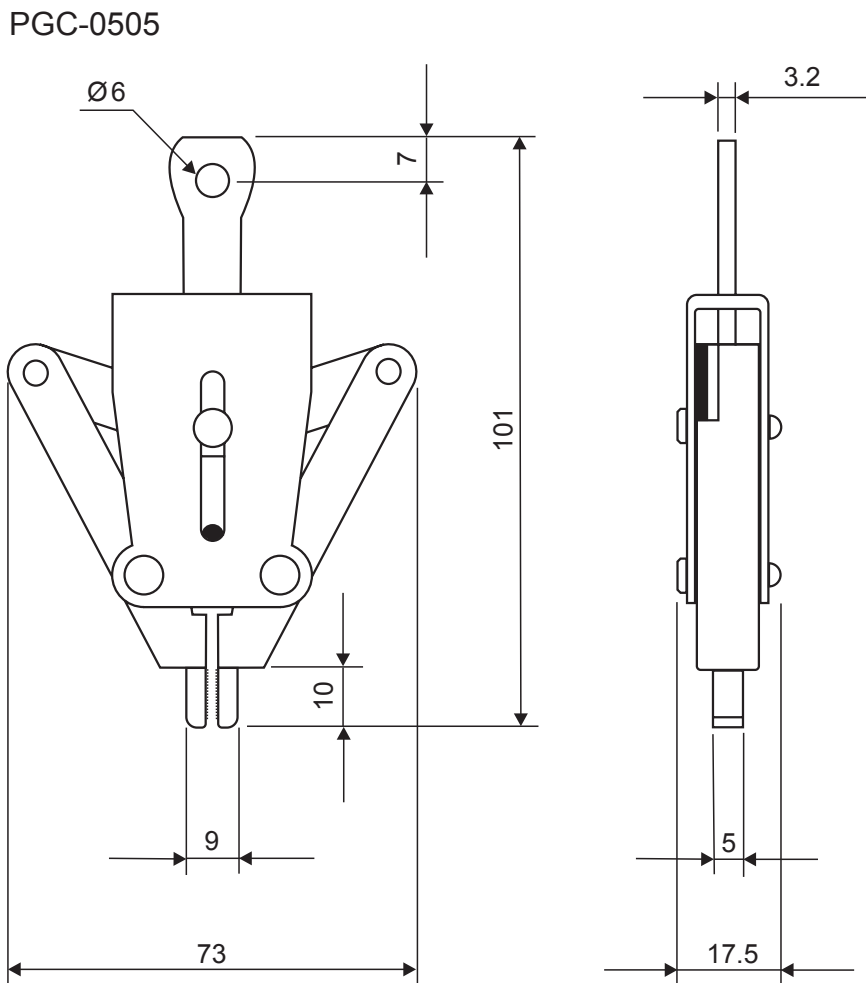
- Some samples may not correctly be gripped depending on material and shape.
- Combining with a test stand, more stable measuring becomes possible.
- All information is subject to change without prior notice.
- When using with a test stand, please check the stroke you need.
- To fix model PGC-0505 and PGC-0510 at the test stand, optional adapter PGC-AD6 is required.

**Specifications**

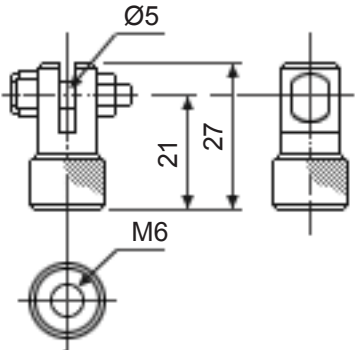
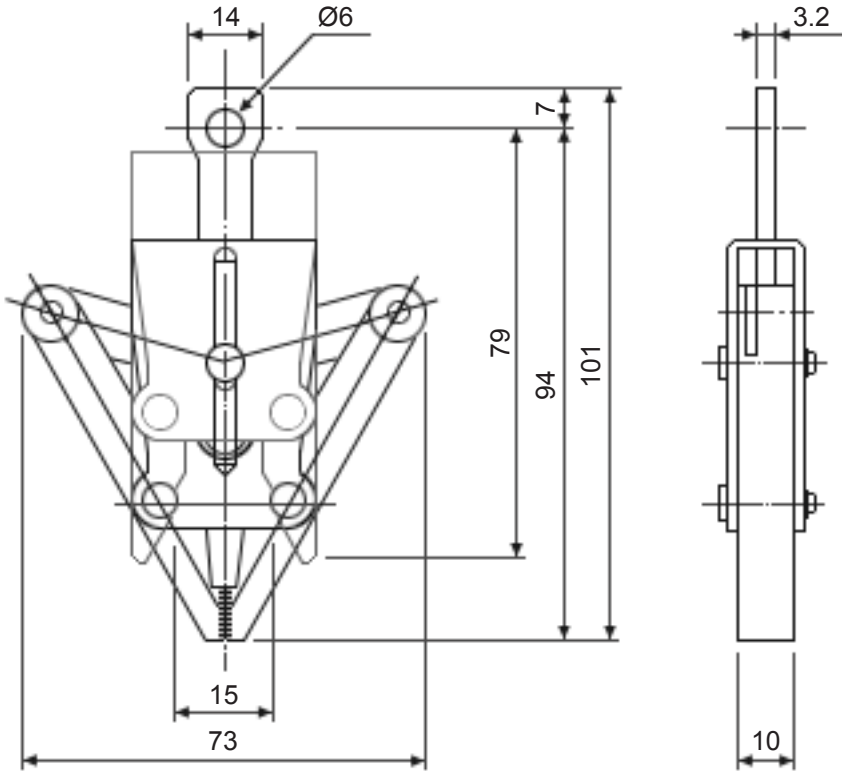
Model	PGC-0505	PGC-0510	PGC-2530
Capacity	500 N		2500 N
Opening width	0.8 - 20 mm	15 mm	15 mm (7 mm when mounted on a test stand)
Max. sample diameter	6 mm		10 mm
Mounting	Force gauge: hook in at the standard attachment A-1/S-1 Test stand: with the optional available Adapter PGC-AD6 (M6)		M10
Special features	The slim grip is ideal for a sample at a narrow space	Lightweight standard model	High capacity model
Weight*	Approx. 170 g	Approx. 110 g	Approx. 750 g

\*The weight of the attachment is also applied as load on the force gauge and had to be considered when selecting the capacity.

**Dimensional drawing**



PGC-0510



PGC-AD6 (Optional adapter)

PGC-2530

