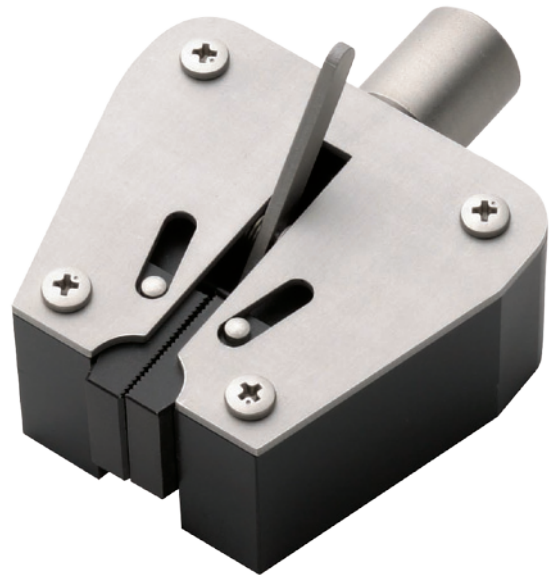


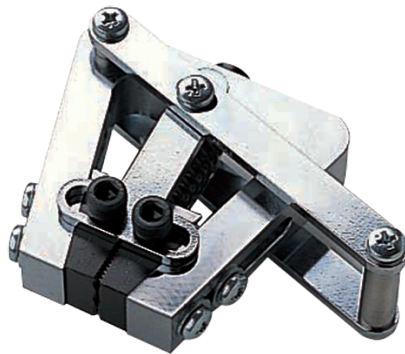
Wedge grip KC-100, KC-1001, KC-5000



KC-1001



KC-5000



KC-100

Feature

- Wedge grip for gripping samples firmly with wedged surface.
- Allows to grip samples simply with single action.
- Designed to grip thin and deformable samples such as resin.

Application

- The wedge grip is installed on the force gauge for tensile tests of various test pieces.



Note

- Particular materials and shapes can not be used. The wedge grip is not designed for slippery samples.
- Combining with a test stand, more stable measuring becomes possible.
- All informations subject to change without prior notice

Specifications

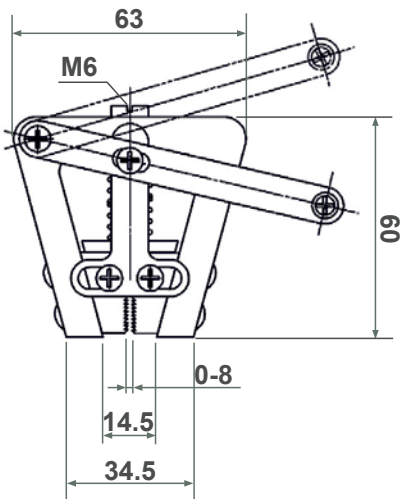
	KC-100	KC-1001	KC-5000
Capacity	500 N	1000 N	5000 N
Weight*	330 g	95 g	565 g
Opening width	max. 8 mm	max. 2.0 mm	max. 5.0 mm
Width of jaw (E)	15 mm	9.8 mm	23.8 mm
Height of jaw (F)	22 mm	15.0 mm	26.0 mm
Mounting part angle**	-	Approx. 13°	Approx. 10°
Mounting screw	M6	M6	M10

*The weight of the attachment is also applied as load on the force gauge and had to be considered when selecting the capacity.

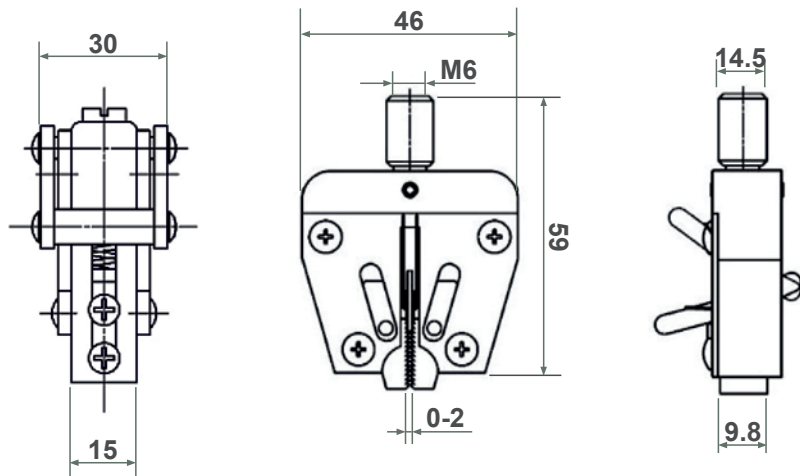
**The mounting part of KC-100 ist fixed. KC-1001 and KC-5000 are optionally available with fixed mouning part.

Dimensional drawing

KC-100



KC-1001



KC-5000

