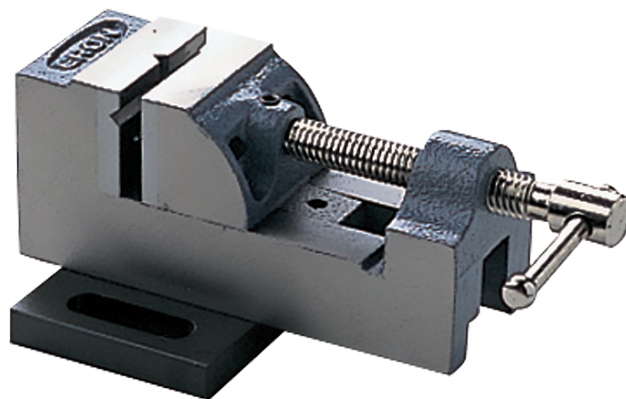


Vise Grip GT-30, GT-2000

Holding fixture on the table of test stand



Feature

- The vise grip can be installed on vertical test stands.
- Alignment of the sensing shaft of a force gauge is possible by the slotted hole of the vise grip.

Applications

- The vise grip is installed on the test stand as a holding fixture on the test stand table.



Note

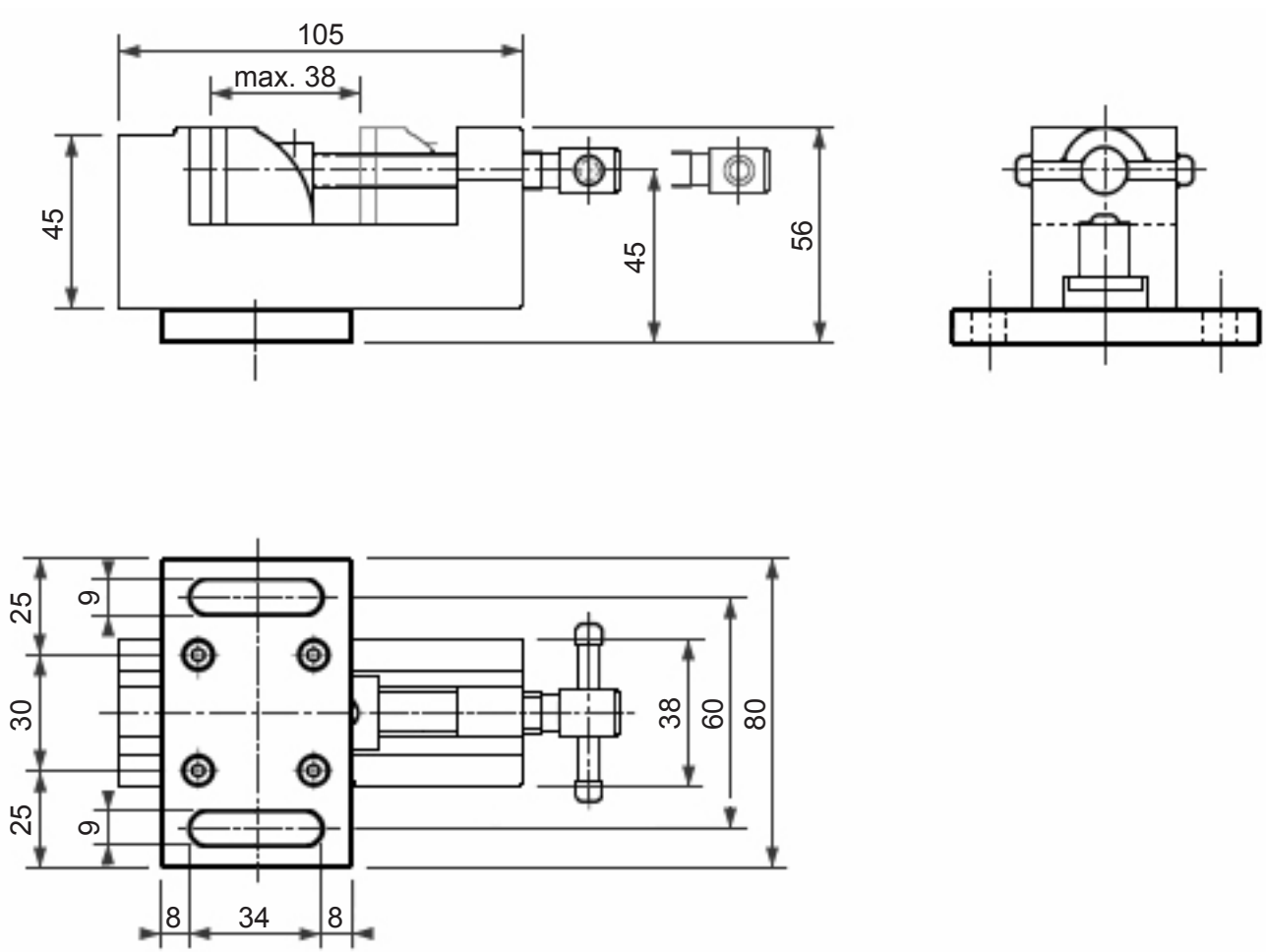
- Combining with a force gauge, more stable measuring becomes possible.
- All information is subject to change without prior notice.

Specifications

	GT-30	GT-2000
Capacity	1000 N	2000 N
Opening width	38 mm	64 mm
Grip width	38 mm	62 mm
Weight	1.1 kg	4.4 kg

Dimensional drawing

GT-30



GT-2000

