

Cam Grips GR-30, GR-2000



GR-30



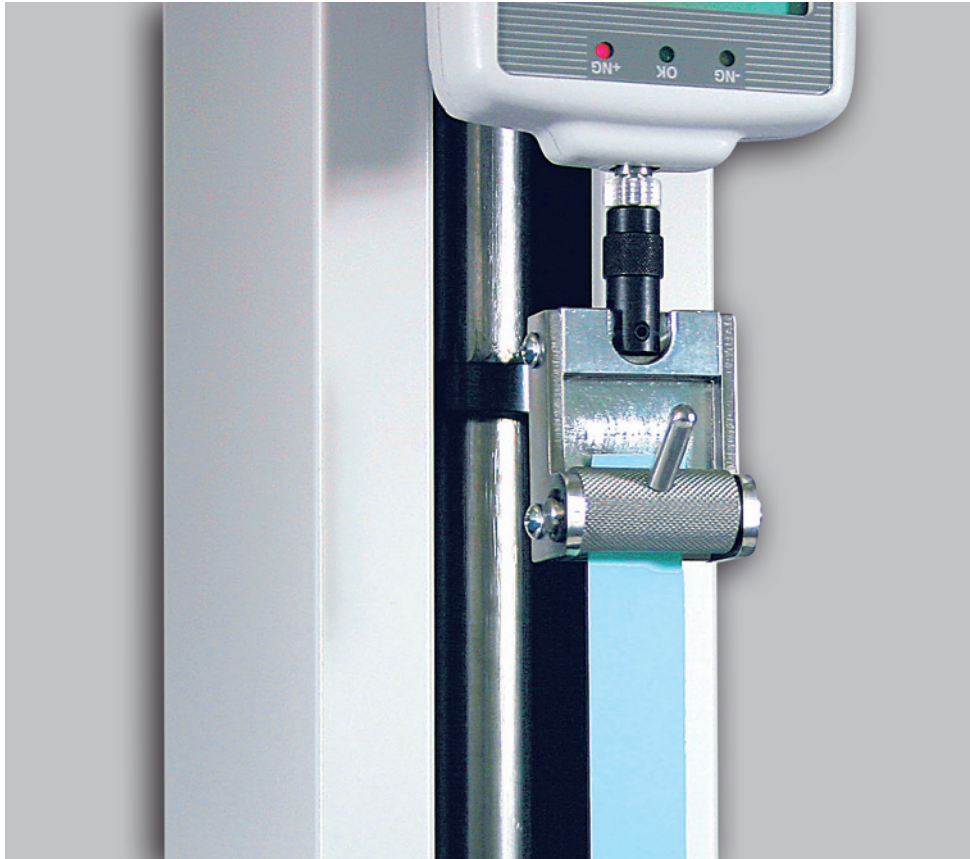
GR-2000

Feature

- Attachment for tensile tests of thin samples of rectangular shape.
- Easy one-touch clamping.
- cam mechanism: the sample is automatically tightened when pulled.

Applications

- The cam grips are installed on the a force gauge for tension test of various test pieces.



Note

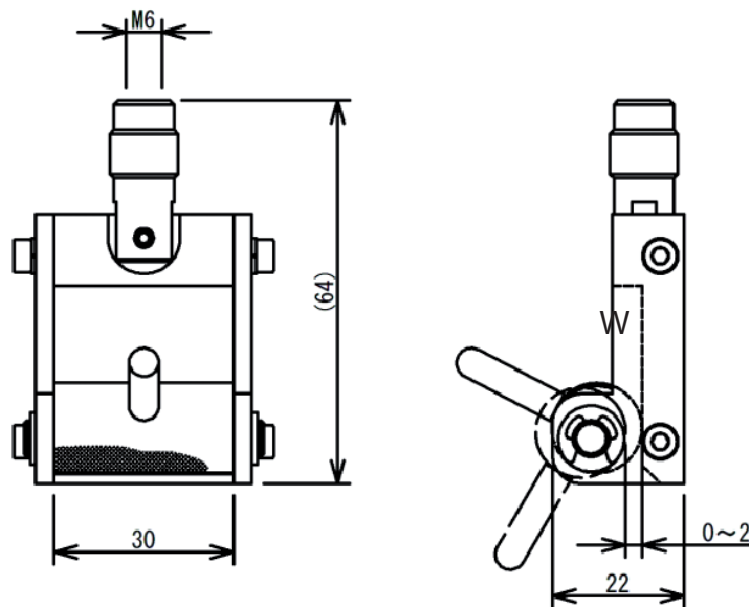
- Particular materials and shape can not be used.
- Combining with a test stand, more stable measuring becomes possible.
- All information is subject to change without prior notice.

Specifications

Model	GR-30	GR-2000
Capacity	500 N	2000 N
Mounting screw	M6	M10
Weight	180 g	870 g
Opening width	2 mm	4 mm
Sample width	30 mm	50 mm

Dimensional drawing

GR-30



GR-2000

