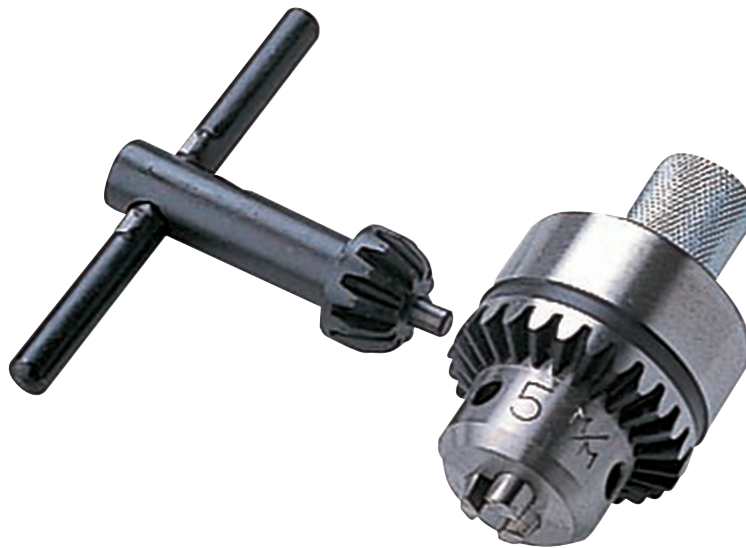


Jacob`s Chucks GC-5, GC-15, GC-15-M10

Ideal for measuring tensile strength of
wires, shafts or rods



Feature

- The Jacob`s chuck has characteristic of better initial gripping and less slipping of test material on testing process.
- The chuck is suitable for tension tests on rod-shaped samples, but can also be used for compression tests.

Application

- The Jacob's chuck is installed on the force gauge for pull or compression test of shafts and rods



Note

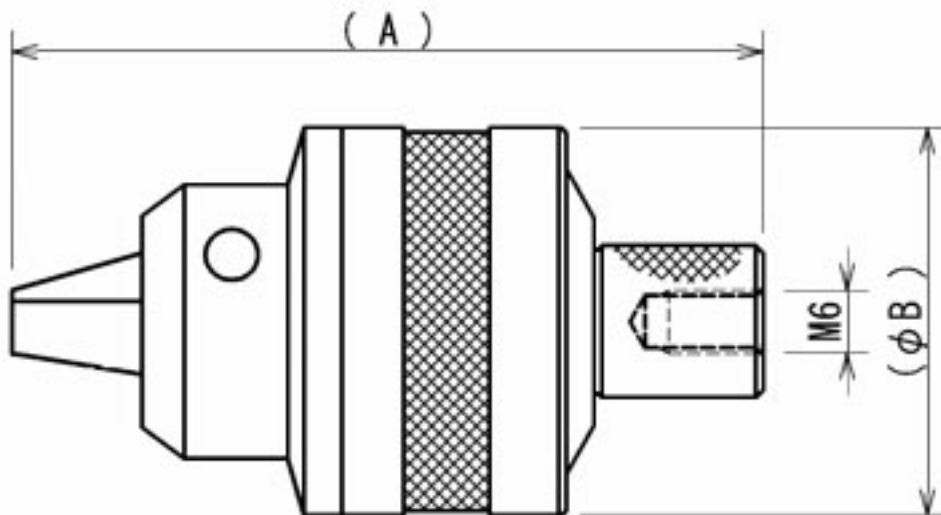
- The Jacob's chuck can not grip particular material or shape.
- Combining with a test stand, more stable measuring becomes possible.
- All information is subject to change without prior notice.

Specifications

	GC-5	GC-15	GC-15-M10
Opening width	Ø 0.5 to 6.5 mm	Ø 2.0 to 13 mm	
Capacity	500 N	1000 N	
Mounting screw	M6		M10
Weight	approx. 235 g	approx. 500 g	
Attachment	Tightening handle		

The weight of the attachment is also applied as load on the force gauge and had to be considered when selecting the capacity.

Dimensional drawing



Model	(A) mm	(diameter B) mm	Screw hole
GC-5	66	32	M6
GC-15	101	46	
GC-15-M10			M10