

Fine Point grips FP-50, FP-51

For fine threads and wires



FP-51



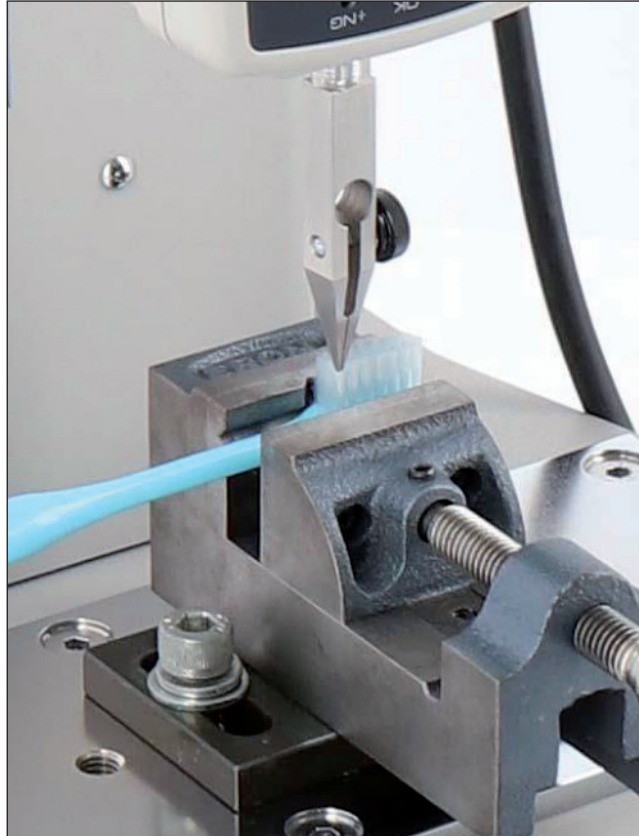
FP-50

Features

- They are suitable for checking fine materials, like threads and wires.
- It is suitable for low weight test because this attachment is lightweight model.
- They are suitable for measuring in narrow space.

Applications

- The fine point chuck is installed on the force gauge for tension test of various test wires.



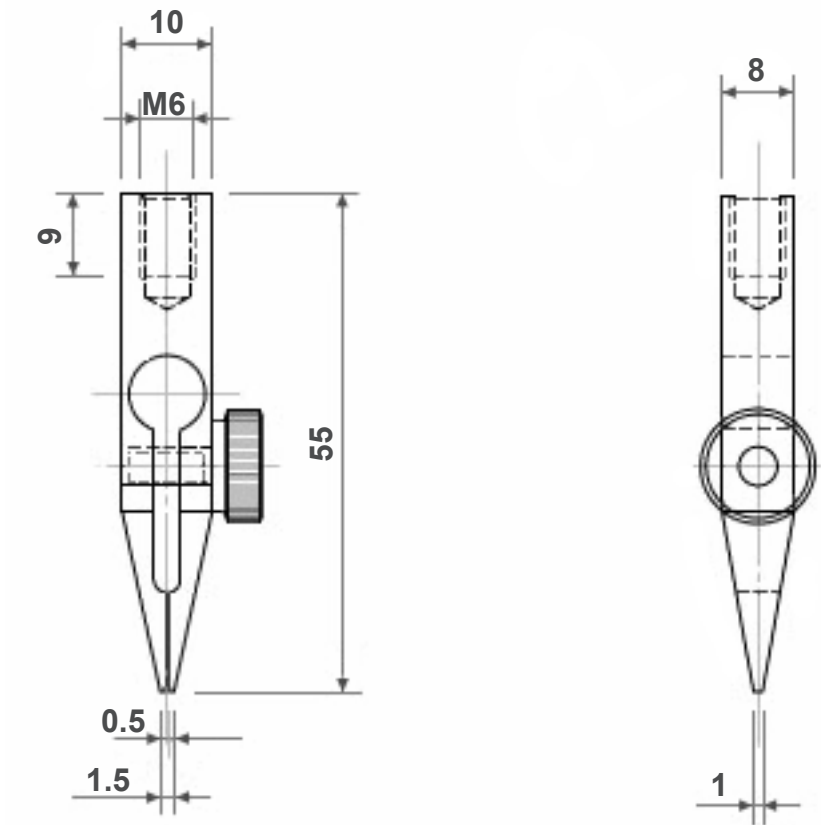
Note

- Particular materials and shapes can not be used.
- Combining with a test stand, more stable measuring becomes possible.
- All information is subject to change without notice.

Specifications

	FP-51	FP-50
Model	lightweight	normal
Material	Aluminium	Stainless steel
Capacity	50 N	100 N
Mounting screws	M6	
Opening width	0.5 mm	
Weight	8 g	19 g

Dimensional drawing



Unit: mm