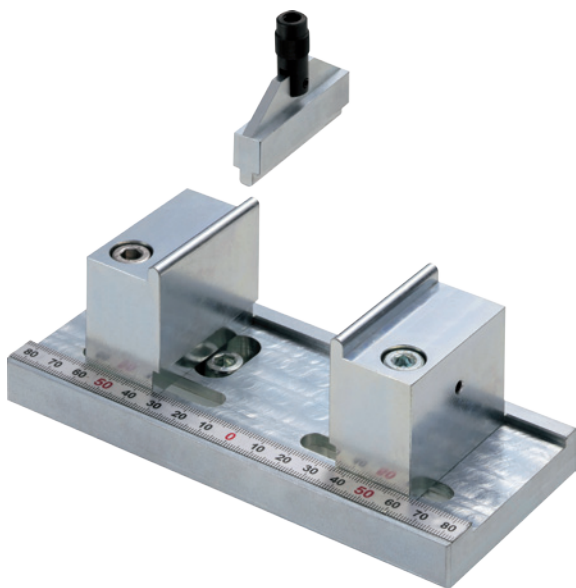
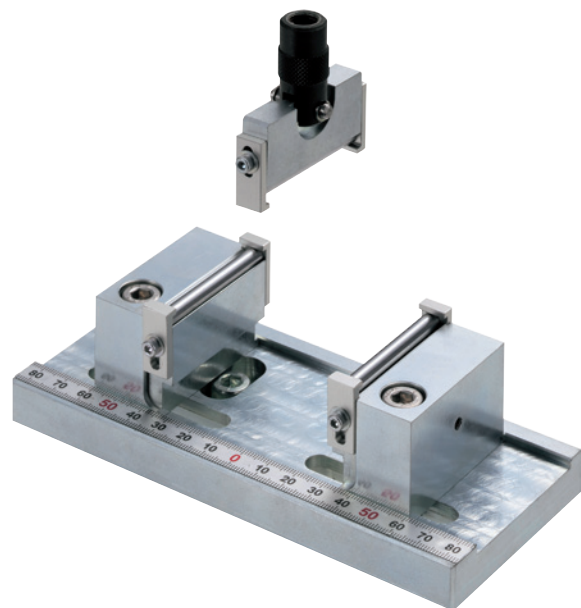


3-Point Bending Test Fixture BT-500N, BT-5000N, BT-5000N-CB

For testing the bending force and breaking strength



BT-500N



BT-5000N

Feature

- For testing bending force and breaking strength of ceramic, glass, composites, plastic, metal etc.
- Adjustable clamping width
- Suitable for different standards

Applications

BT-5000N and BT-5000N-CB

- IEC 60672-2 (1999) and JIS C 2141: 1992 - Ceramic and glass insulating materials - Part 2: Methods of test.

BT-5000N

- ISO 14704:2000 and JIS R 1601:2008 - Advanced ceramics; Test method for flexural strength of monolithic ceramics at room temperature
- JIS R 1602:1995 - Testing methods for elastic modulus of advanced ceramics

BT-5000N-CB

- ISO/FDIS 14215:1998 and JIS K 7017:1999 - Fiber-reinforced plastic composites - Determination of flexural properties
- JIS K 7074:1988 - Testing methods for flexural properties of carbon fiber reinforced plastics
- JIS K 7088:1996 - Testing methods for flexural creep of carbon fiber reinforced plastics
- JIS H 7406:1993 - Test method for flexural properties of fiber reinforced metals



Note

- Particular materials and shapes can not be used.
- Combining with a test stand, more stable measuring becomes possible.
- All information is subject to change without prior notice.

Optionales Attachment



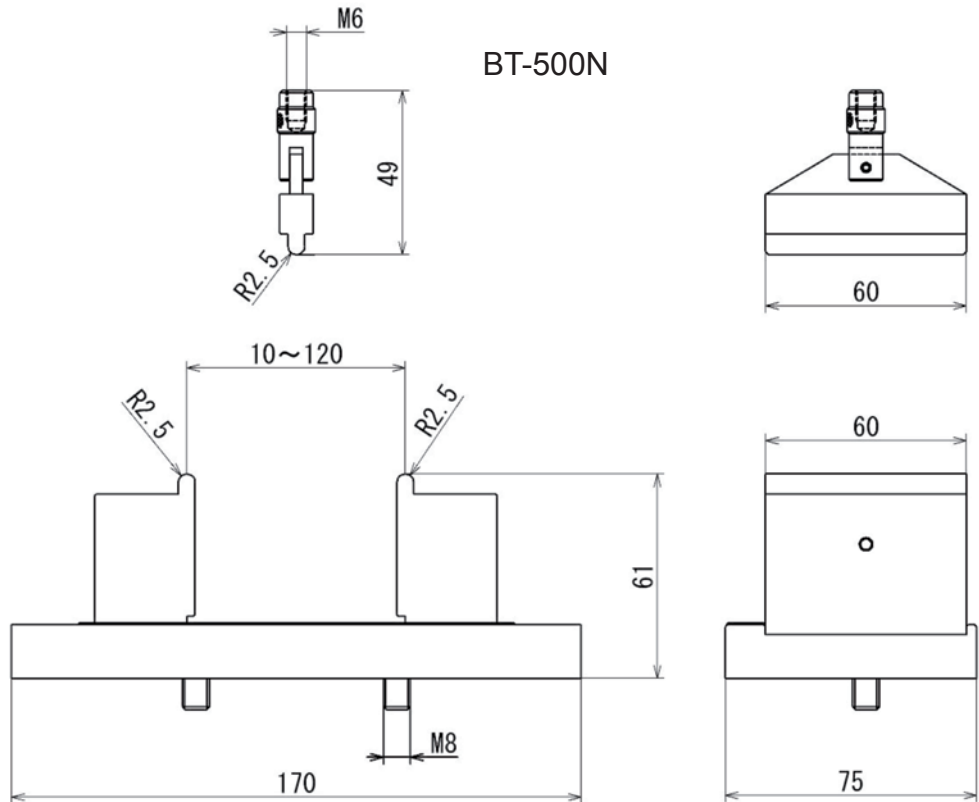
Groove guide BT-CG
Prevents rolling away of round samples during a test

Specifications

	BT-500N	BT-5000N*	BT-5000N-CB*
Design	Standard unit	Changeable loading pins	
Capacity	500 N	5000 N	5000 N
mounting screw	M6	M10	M10
Upper loading pin	radius 2.5	radius 3	radius 5
Lower loading pins	radius 2.5	radius 3	radius 2
Weight (upper)	100 g	130 g	150 g
Weight (bottom)	2100 g	2300 g	2300 g
max. sample width	60 mm	52 mm	52 mm
Fulcrum distance	25 - 120 mm		

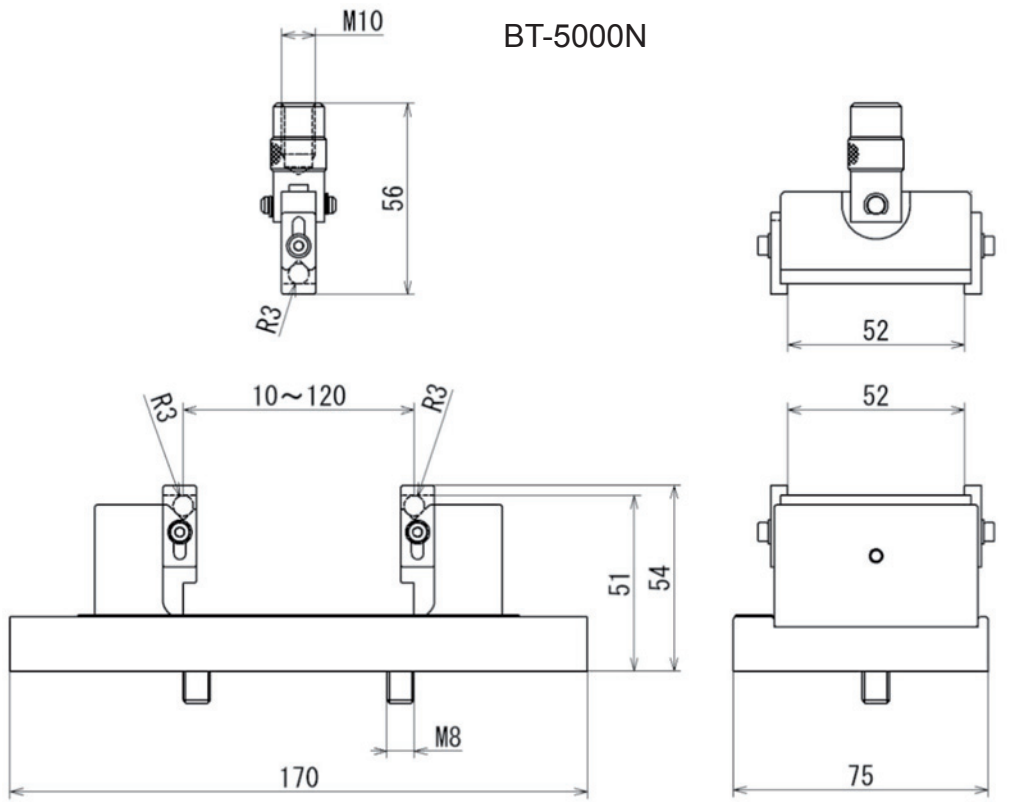
*Loading pins BT-SH-R4 with radius R4 and BT-SH-R5 with radius R5 optional available (For BT-5000N-CB only suitable as a replacement for the upper loading pin)

Dimensional drawing



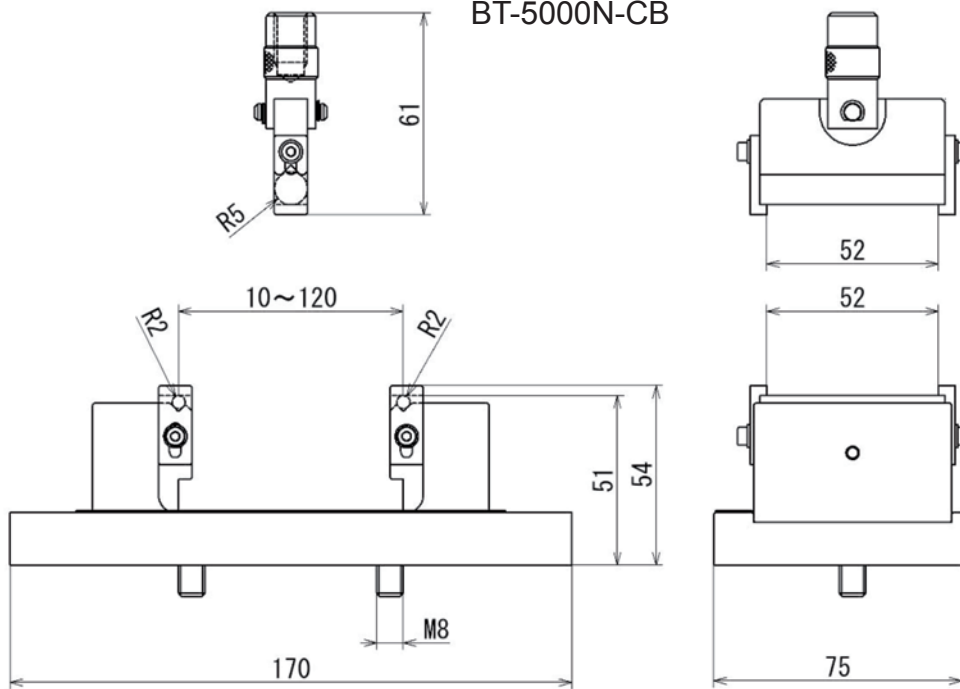
Unit: mm

BT-5000N



Unit: mm

BT-5000N-CB



Unit: mm